

WELLNESS

Mkt. By : **COLSTON BATH & SPA PVT. LTD.**

E-mail : info@colstonconcepts.com

Customer Care No. : **1800-1027-789, 011-49125500 (10:30 AM to 6:30 PM)**

Now Join Us On       

Please Note :

- The Company reserves the right to make change on the product appearance and accessories without any notice.
- Faucet accessories design can be changed without any prior notice.
- The dimensions and colors of all the products are subject to those of the material object.
- The sizes in the drawings and the sizes of the actual products might have slight differences, and **COLSTON** has the right to modify or cancel the above mentioned products without further notice, and **COLSTON** takes no responsibility if expired and cancelled drawings are used.
- By reason of printing, the colors of the formal products are partially different from those in the drawing, therefore, all are subject to the colors of COLSTON's actual products

LONDON OFFICE : Parkside house, Rigby Lane, Hayes, England, UB3 1ET, United Kingdom.

INDIA OFFICE : 65, Rajasthani Udyog Nagar, G.T. Karnal Road, Delhi-110033

LIVE WELLNESS CENTRE :

Corporate Live Centre : 24, Ring Road, Near Vinobapuri Metro Station, Lajpat Nagar-110024

Delhi (South) : Club Drive-42, Ghitorni Market, Near Ghitorni Metro Station, M.G. Road, Delhi - 110030

Delhi (East) : 21/621, Near Metro Piller No.13 (Pink Line), Karkarduma, Delhi - 110092

Delhi (North) : Main Sanitary Market, Mangolpur, Delhi-110083

Mumbai : Gala No.-21, Laxmi Industrial Estate, Opp. Laxmi Chaaya Restaurant, Andhari (W), Mumbai - 400053

Bengaluru : Chitra Complex, 823/4, 13th Cross, 7th Block, West Jayanagar, Bengaluru - 560070

Raipur : Shop No. 8-9, M M Silver Plaza, Opp. Udyog Bhawan, Ring Road No. 1, Raipur - 492001

Kolkata : Unit No. 4A, Pushpanjali Enclave, 9/2A, Topsia Road, (South), P.S. Topsia, Kolkata - 700046

Indore : 152 PU4, Behind C21 Mall, AB Road, Indore - 452001

Guwahati : Corre Esplanade, 15A, Opp. Moti Mahal, Ratan Dewan Road, Ulubari, Guwahati - 781007

Dehradun : 974 Min, GMS Road, Near Balliwala Chowk, Petrol Pump, Dehradun - 248001

Hyderabad : Srinivasa Plaza, Plot. No.-87, Ground Floor, Srinager Colony, Panjagutta - 500073

Chandigarh : S.C.O. 830, N.A.C, Manimajra, Chandigarh - 160002

Jaipur : Plot No.-11, In Front of Mahaveer Paradise, Near Mansarover Metro Station, 200 Feet, Jaipur - 302018

Colston Idromassagio Products are Manufactured at : Via Baite 12/E zona industriale, 31046 Oderzo (TV) Italy

England, UK

 **COLSTON®**
www.colstonconcepts.co.uk



Thinking inside the sector, but outside the box.
It's important to stand out from the crowd, and in part that means offering an impeccably designed catalogue that never fails to inspire, highlighting the level of quality and style that the COLSTON GROUP has achieved in its designs.
A gallery of products that are always a step ahead of spa sector trends, demonstrating the company's flair for research and experimentation. The result is a balanced combination of versatility and advanced technology that features the most exclusive kind of contemporary design.

World Largest Bathtub



www.colstondebanos.com

Whirlpool Bathtub	01 - 28	Sauna & Steam Cabin	56 - 69
Idromassaggio Bathtub	29 - 31	LynX-eyed Steam Cabin	70 - 71
Design Bathtub	32 - 36	Steam Panel	72 - 72
LynX-eyed Bathtub	37 - 39	Shower Enclosure	73 - 77
Outdoor Pool & Spa	40 - 51	Shower Panel	78 - 80
Infrared Sauna	52 - 55	Steam & Sauna Generator / Pressure Pumps	81 - 83

Colston bathtubs: hydromassage systems

Colston Bathtubs are equipped with different hydromassage systems, to better answer your needs.



The specific **Whirlpool nozzle**, with exclusive performances that increase the effectiveness of hydromassage, can be easily adjusted to vary the direction and intensity of the jet to better suit personal needs. It also can be easily disassembled for deeper cleaning.

The **Airpool nozzle** in the bottom of the bathtub is flat and minimal to increase comfort during the bath.



Some bathtub models are fitted with a specific directionable nozzle, **JET PLUS**, focusing on back and feet zones, that makes the massage experience more intense and revigorating.



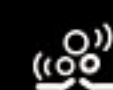
WHIRLPOOL SYSTEM: mixed air and water flow out of the directionable jets, which direction may be adjusted and intensity can be varied to stimulate the blood and lymphatic circulations.



The Pulsating **Whirlpool function** alternates a softer to a more dynamic massage, similar to the sensations given by the sea waves.



AIRPOOL SYSTEM: air bubbles are released from the air nozzles positioned at the bathtub bottom, for a delicate and caressing massage.



The **Pulsating Airpool** function alternates a softer to a more dynamic massage, similar to the sensations given by the sea waves.

MAKE IN INDIA INITIATIVE

Driven by 'Make in India' initiative, we at Colston have decided to design and develop range of wellness products e.g. Waterfall Bathtub, Showers, Faucets, Steam Generator of High quality, suitable to Indian environment conditions.



QUALITY AND ENVIRONMENTAL CARE

Colston bathtubs are out of coextruded material: a high quality and durable material, easy to clean and maintain. Our products are green by definition, as our production process allows the recycling of the scratches, thus reducing the environmental impact.

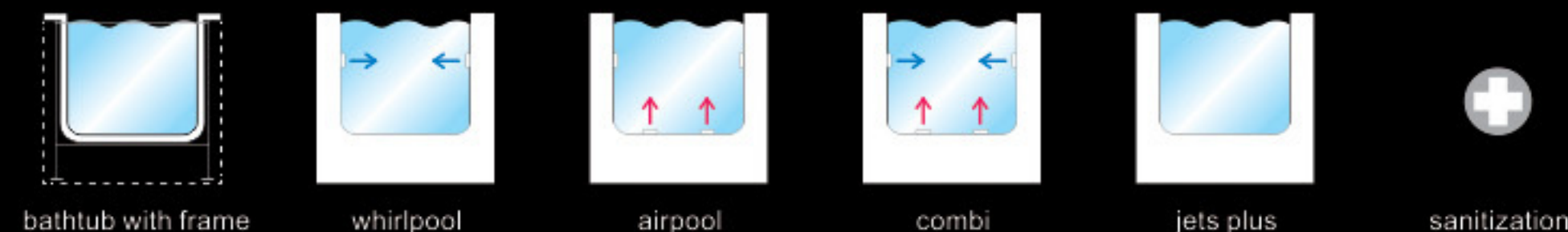


HYGIENE

Colston idromassaggio bathtubs are fitted with an exclusive system, **blowing after**, which empties the air lines of any residual water by blowing air through the system after the bathtub has been drained, thus offering maximum hygiene. When required, Colston bathtubs are equipped with a semi-automatic **disinfection** programme for cleaning the nozzles and the whirlpool circuit with a sanitizing liquid filled into a special tank.

FEATURES

Colston bathtubs can be equipped with taps and fittings installed on the tub rim, with manual or thermostatic mixer, water inlet or inlet with overflow. The Colston wellness experience can be completed by some comfortable headrests, underwater light or chromotherapy and, on some models.



Bathtub Materials

Sanitary acrylic is a special synthetic material, created to manufacture bathtubs. Acrylic surface is specular and durable. It provides long life, easy care and hygienic requirements for bathtubs.

Extra stability to bathtub provided by thick fiberglass reinforcing layer – 4 mm, in the bathtub base – up to 22 mm thick. Thus, there is no risk of bending or breakage.

Polyurethane foam coat for additional heat, sound insulation and mechanical resistance. Stable metal frame with adjustable feet – easy to dismantle and fold for installing in small bathrooms. Easy to install and dismantle decorative panels. It enables easy cleaning and technical maintenance.

Stable metal frame with adjustable feet, easy to dismantle, Easy to install. It enables easy cleaning and technical maintenance.



- 20 mm reinforcement layer allows to safely install water mixer
- 4 mm PMMA acrylic provides for safe and durable maintenance of bathtub
- 3-5 mm GRP reinforcement gives strength to bathtub
- 10-15 mm HEAT layer provides for additional heat and sound insulation
- Steel frame for bathtub bottom and perimeter ensure stability
- Decorative panels with easily removable, comfortable and secure fittings
- Up to 22 mm reinforcement layer at the bottom secures permanence of the bathtub shape

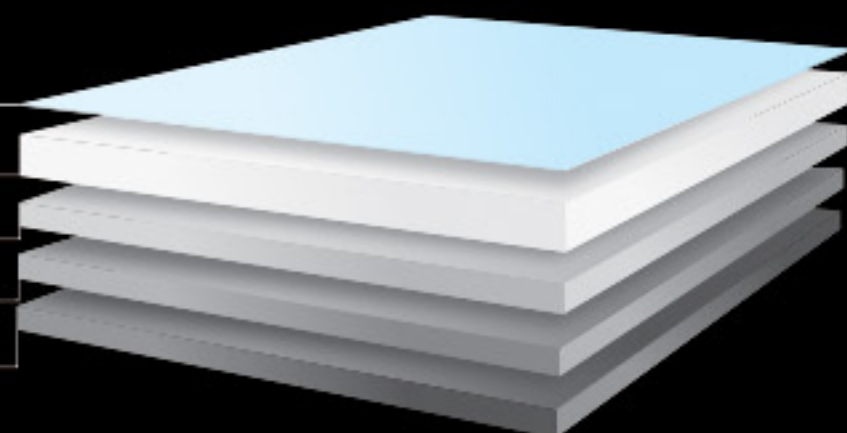
NANO-COATING layer

Double layer of acrylic (up to 6 mm)

Fibreglass and resin (layer 1)

Fibreglass and resin (layer 2)

Reinforced bottom (on a steel frame)



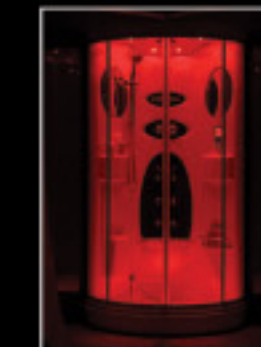
Note: Thickness of the acrylic and reinforcement can vary according to model of bathtubs and hot tubs.

Chromotherapy for Steam Shower --- lightings are magic, especially in your shower & bath life!

It has been approved by lighting engineering researches that different lightings have different psychological effects. The Chromotherapy has been widely used to help modern people who live under great pressure due to the fast paces of modern society. Here you can see some ideas about the effect of lighting.

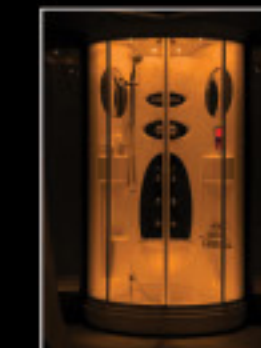
RED: Stimulating

Red stands for movement, passion and emotion. It's a stimulating color by increasing heart rate, releasing and restoring both mental and physical energy spent during particularly strenuous activities.



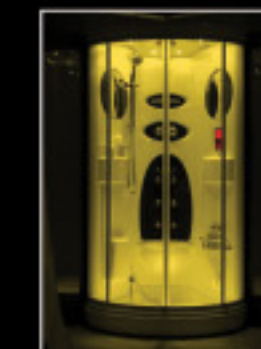
ORANGE: Cheering

Orange is the representative warm color. It also stands for health, mature and happiness. The color helps to trigger your desire to plunge into the society and helps you to behave from your virtuousness. It's the excellent color to help to get rid of depression.



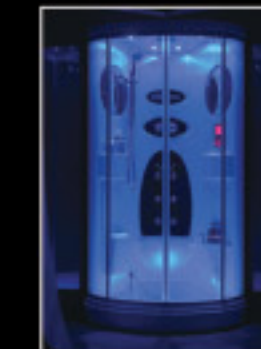
YELLOW: Cheering

Yellow is pure sunlight which provides beneficial warmth for the entire body. Pessimism, difficulties, dissatisfaction with relationships...all disappears by its warmth.



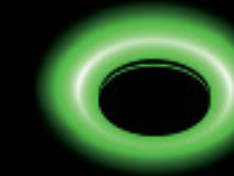
BLUE: Recovering

Blue brings calm and peace. Research shows that sea blue or light blue color has soothing effect on brains. Enjoy the sensation of surfing in the sea and fully recover yourself from daily life burden with pressure!



Green: Relaxing

This is the color of nature. It promotes equilibrium, giving balance to our psyche. Green relaxes us both physically and mentally, soothing away anxiety and dispelling nervous tension.



PURPLE: Stimulating

Purple makes people creative and thoughtful. Research shows that thinking in purple light is 10 times as fruitful as in white color! Be sure to take a shower in purple light whenever you need to think hard.



*Source : Internet

Benefits of Steam

- Quickest way to detoxify
- Boost immune system
- A feeling of relaxation
- Fat Emulsification
- Glowing Skin
- Detoxification and Immune System Boost
- Respiratory Benefits
- Pain Management



Benefits of Sauna

- Sauna relieve stress
- Sauna relax muscle and soothe aches/
pains in both muscles joints
- Sauna cleanses the skin
- Sauna can induce a deeper sleep
- Sauna bring about recreational and social benefits
- Sauna burn calories
- Sauna can help to fight illness
- Sauna helps to feel relax



Benefits of Whirlpool Massage

- Reduce physical tension and mental stress
- Reduce insomnia and promote restful sleep
- Helps in pain relief
- Cardiovascular rehabilitation
- Improve blood circulation



WHIRLPOOL



- 4 Whirlpool Jet
- 12 Spinal Jet
- 8 LED Air Jet

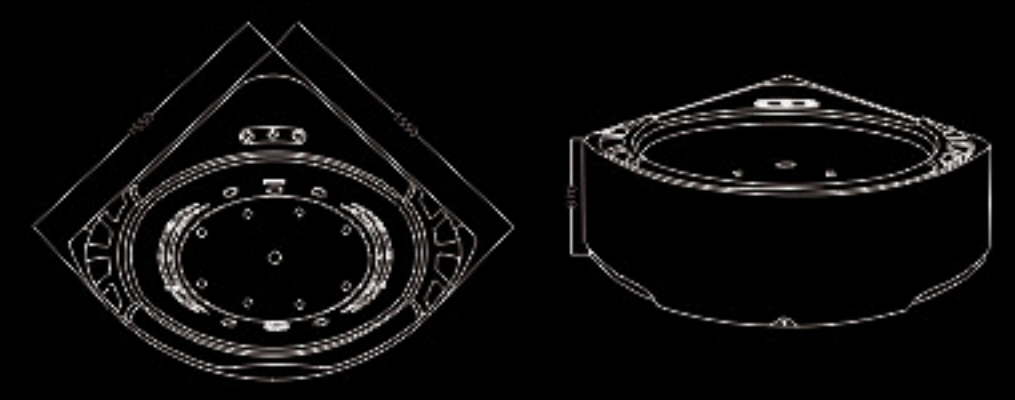
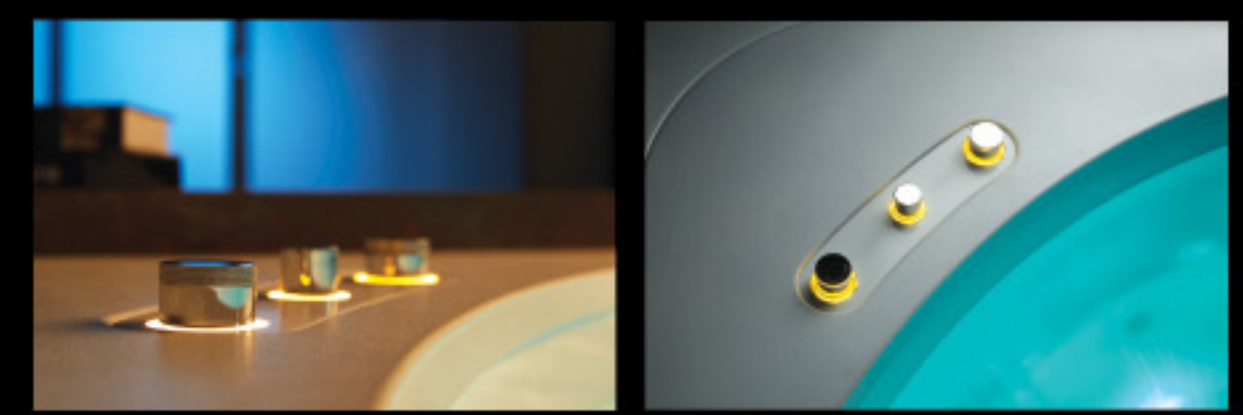
Sensor when people coming to open

360° Waterfall



Model : CASINO
Size : 1550 x 1550 x 670 mm

- | | | | | |
|-----------------------------|------------------------------|----------------------------|--|---------------------|
| Computerized Control | 360° Waterfall (1.5 HP Pump) | Faucet Accessories | Water Level Controller | Pop-Up Drain System |
| Whirlpool Jet (1.5 HP Pump) | Chromotherapy | Air Bubble Bath (750 Watt) | Reinforced PMMA Acrylic with Glass Fibre | Online Heater |
| Galvanised Frame | Easy Service | Disinfection Ozonizer | Electrical Leakage Protection | Dry Run Protection |



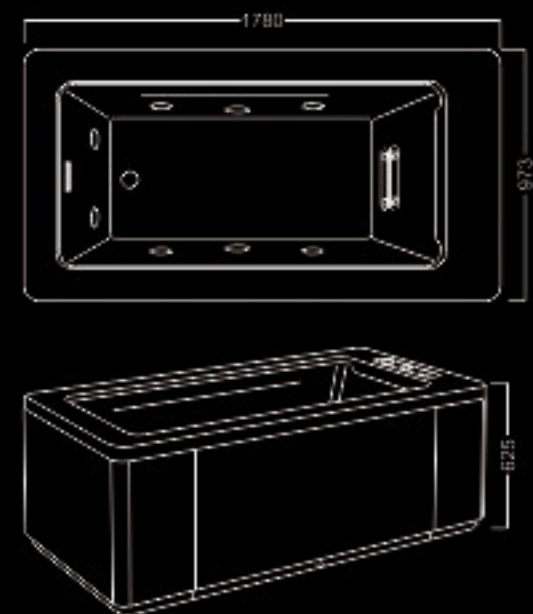
- 15 Whirlpool Jet
- 12 Bubble Jet
- Neck Waterfall



Model : SHINE
Size : 1780 x 973 x 625 mm

Waterfall Series

- Computerized Control
- Two Side Waterfall (1.5 HP Pump)
- Faucet Accessories
- Water Level Controller
- Pop-Up Drain System
- Bluetooth Connectivity
- Whirlpool Jet (1.5 HP Pump)
- Chromotherapy
- Air Bubble Bath (750 Watt)
- Reinforced PMMA Acrylic with Glass Fibre
- Online Heater (Optional)
- Galvanised Frame
- Easy Service
- Disinfection Ozonizer
- Electrical Leakage Protection
- Dry Run Protection



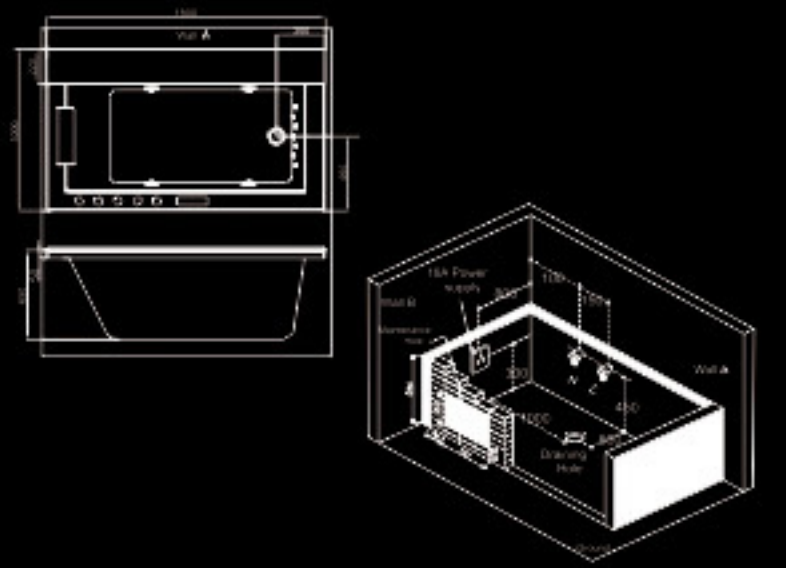
- 12 Whirlpool Jet
- 4 Spinal Jet
- 25 Bubble Jet
- Neck Waterfall



Model : AMORO
Size : 1800 x 1000 x 650 mm

Waterfall Series

- Computerized Control
- Waterfall (1.5 HP Pump)
- Faucet Accessories
- Water Level Controller
- Pop-Up Drain System
- Whirlpool Jet (1.5 HP Pump)
- Chromotherapy
- Air Bubble Bath (750 Watt)
- Reinforced PMMA Acrylic with Glass Fibre
- Online Heater (Optional)
- Galvanised Frame
- Easy Service
- Disinfection Ozonizer
- Electrical Leakage Protection
- Dry Run Protection



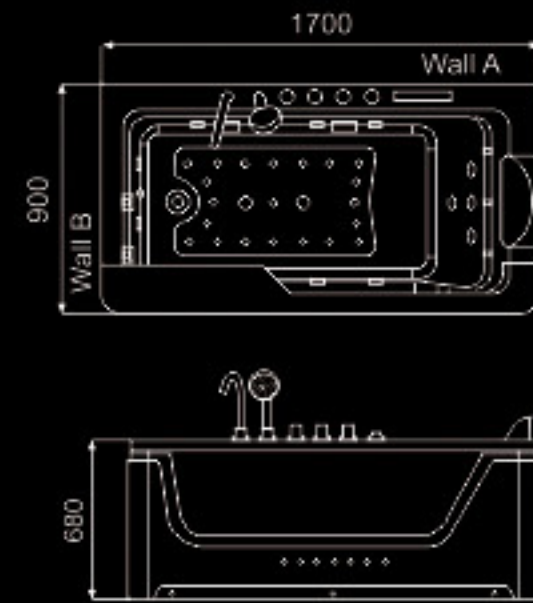
- 10 Whirlpool Jet
- 4 Spinal Jet
- 23 Bubble Jet

Waterfall Series



Model : VENUS
Size: 1700 x 900 x 680 mm

- Computerized Control
- Waterfall (1.5 HP Pump)
- Faucet Accessories
- Water Level Controller
- Pop-Up Drain System
- Whirlpool Jet (1.5 HP Pump)
- Chromotherapy
- Air Bubble Bath (750 Watt)
- Reinforced PMMA Acrylic with Glass Fibre
- Online Heater (Optional)
- Galvanised Frame
- Easy Service
- Disinfection Ozonizer
- Electrical Leakage Protection
- Dry Run Protection



- 14 Whirlpool Jet
- 8 Spinal Jet
- 43 Bubble Jet

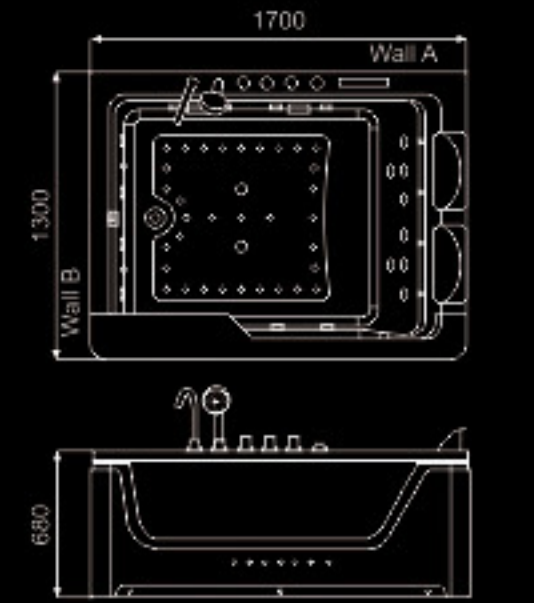
Waterfall Series



Model : ADONIS
Size: 1700 x 1300 x 680 mm



- Computerized Control
- Waterfall (1.5 HP Pump)
- Faucet Accessories
- Water Level Controller
- Pop-Up Drain System
- Whirlpool Jet (1.5 HP Pump)
- Chromotherapy
- Air Bubble Bath (750 Watt)
- Reinforced PMMA Acrylic with Glass Fibre
- Online Heater (Optional)
- Galvanised Frame
- Easy Service
- Disinfection Ozonizer
- Electrical Leakage Protection
- Dry Run Protection



Note: Bubble bath and acrylic head rest is not available in manual version

- 8 Whirlpool Jet
- 8 Spinal Jet
- 16 Bubble Jet
- Neck Waterfall

The ergonomics of its forms will allow us optimum conditions to enjoy our hydromassage. Garson is ambivalent, allowing us to sit in two different ways, thus adding to our touch of comfort.

Manual Version (Three Side Skirt Panel)



Size : 1885 x 1480 x 690 mm

Model : GARSON
Size: 1885 x 1480 x 690 mm



Waterfall Series



Computerized Control



Waterfall (1.5 HP Pump)



Faucet Accessories



Water Level Controller



Pop-Up Drain System



Bluetooth Connectivity



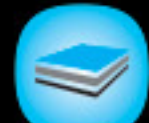
Whirlpool Jet (1.5 HP Pump)



Chromotherapy



Air Bubble Bath (750 Watt)



Reinforced PMMA Acrylic with Glass Fibre



Online Heater (Optional)



Galvanised Frame



Easy Service



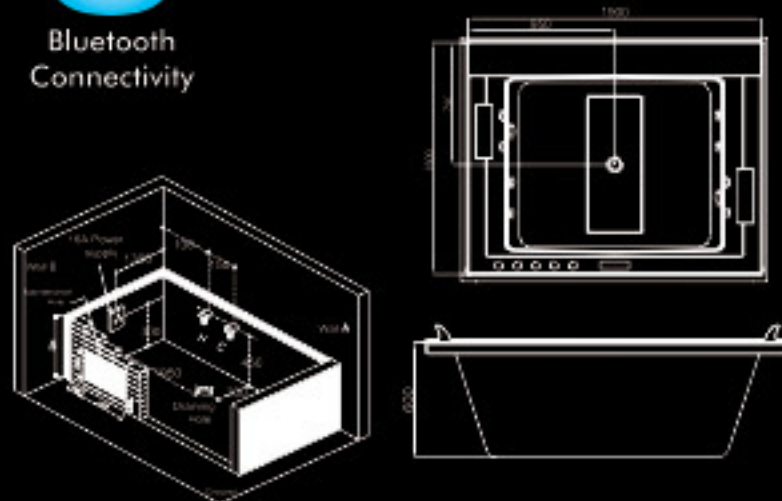
Disinfection Ozonizer



Electrical Leakage Protection



Dry Run Protection



- 4 Whirlpool Jet
- 3 Spinal Jet
- 6 Bubble Jet
- Neck Waterfall

Three Side Skirt Panel



Model : GATES
Size: 1700 x 985 x 655 mm



Waterfall Series



Computerized Control



Waterfall (1.5 HP Pump)



Faucet Accessories



Water Level Controller



Pop-Up Drain System



Bluetooth Connectivity



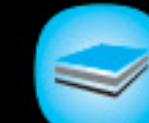
Whirlpool Jet (1.0 HP Pump)



Chromotherapy



Air Bubble Bath (750 Watt)



Reinforced PMMA Acrylic with Glass Fibre



Online Heater (Optional)



Galvanised Frame



Easy Service



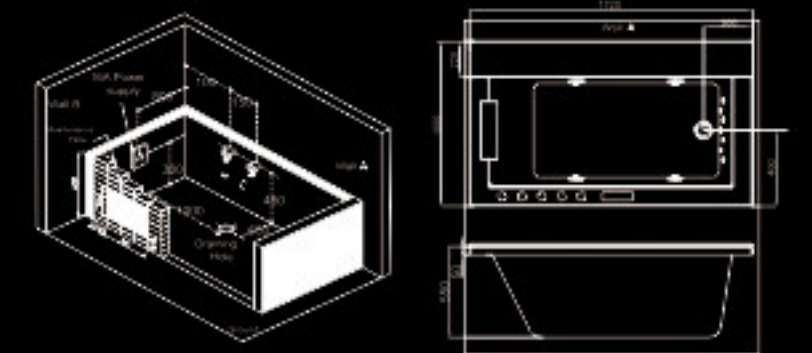
Disinfection Ozonizer



Electrical Leakage Protection



Dry Run Protection



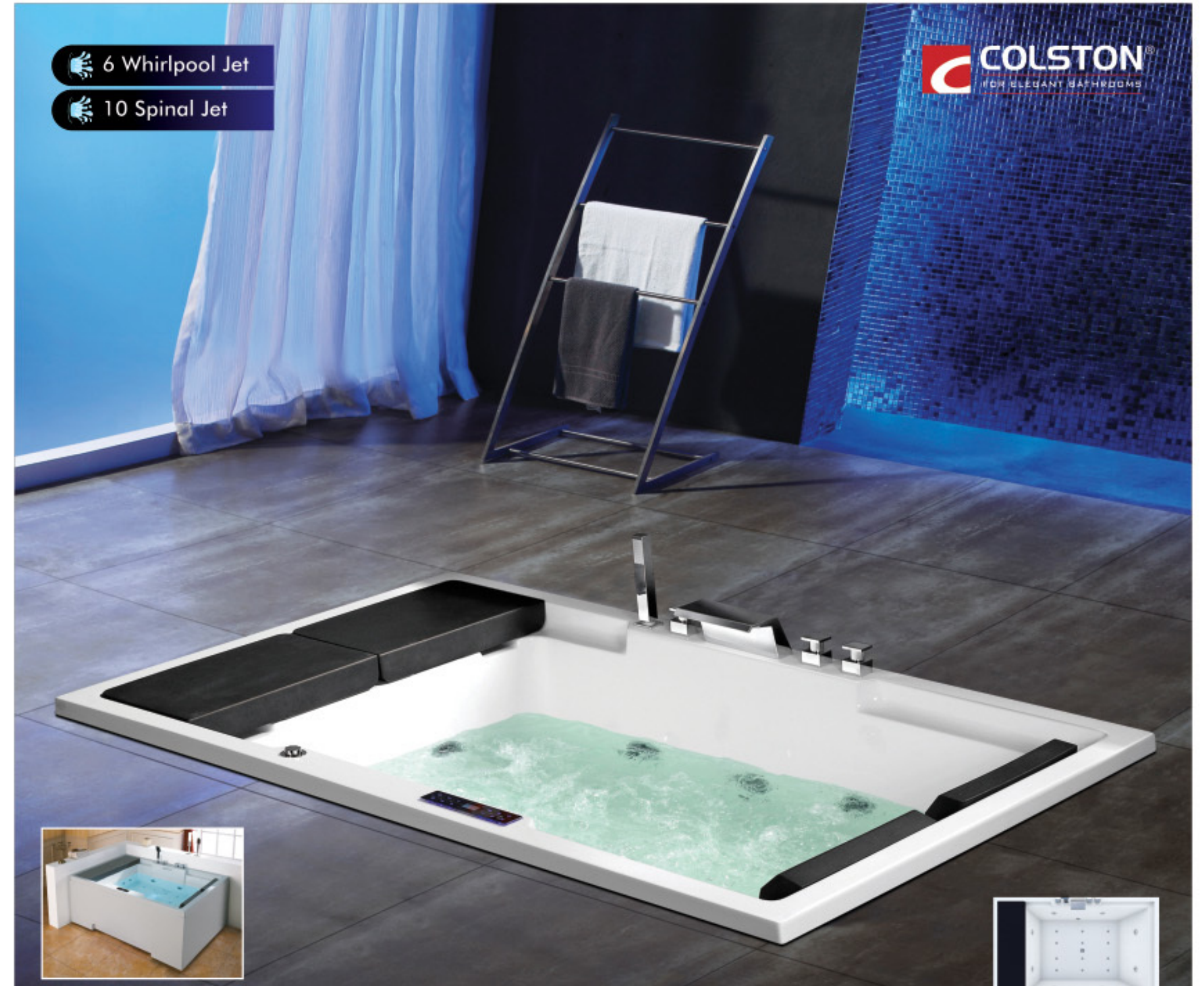
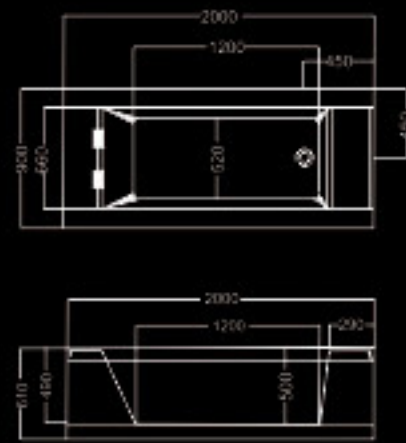
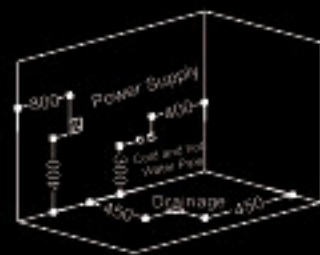


Model : CRUZE
Size : 2000 x 900 x 610 mm



Waterfall Series

- Computerized Control
- Two Side Waterfall (1.0 HP Pump)
- Elevating Faucet Accessories
- Water Level Controller
- Pop-Up Drain System
- Whirlpool Jet (1.0 HP Pump)
- Chromotherapy
- Air Bubble Bath (750 Watt)
- Reinforced PMMA Acrylic with Glass Fibre
- Online Heater (Optional)
- Galvanised Frame
- Easy Service
- Disinfection Ozonizer
- Electrical Leakage Protection
- Dry Run Protection



- 6 Whirlpool Jet
- 10 Spinal Jet

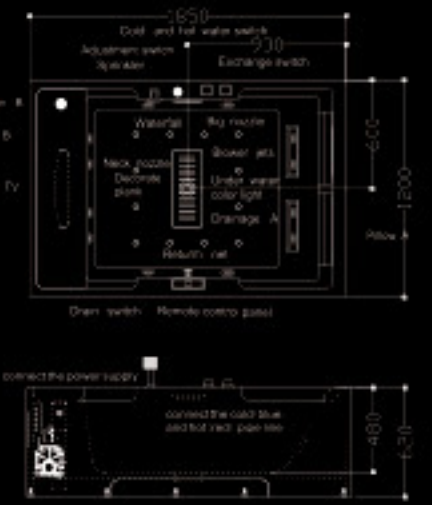
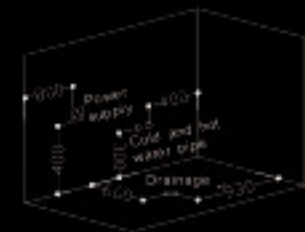


Model : CURRO
Size : 1835 x 1185 x 650 mm



Elite Series

- Computerized Control
- Faucet Accessories
- Water Level Controller
- Pop-Up Drain System
- Bluetooth Connectivity
- Whirlpool Jet (1.5 HP Pump)
- Chromotherapy
- Air Bubble Bath (750 Watt)
- Reinforced PMMA Acrylic with Glass Fibre
- Online Heater (Optional)
- Galvanised Frame
- Easy Service
- Disinfection Ozonizer
- Electrical Leakage Protection
- Dry Run Protection



- 6 Whirlpool Jet
- 8 Spinal Jet
- 10 Bubble Jet

"Comfort, general appearance, great quality"
Excellent emotions for two people.
Choose the system you like best, pick up your relax & enjoy
a pleasure trip through Waterfall.

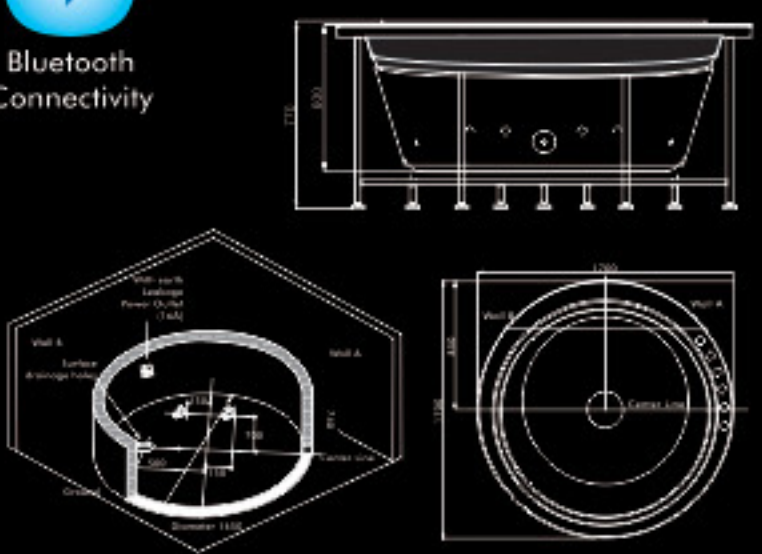


Model : BILLE
Size: 1690 x 1690 x 800 mm



Waterfall Series

- Computerized Control
- Waterfall (1.5 HP Pump)
- Faucet Accessories
- Water Level Controller
- Pop-Up Drain System
- Bluetooth Connectivity
- Whirlpool Jet (1.5 HP Pump)
- Chromotherapy
- Air Bubble Bath (750 Watt)
- Reinforced PMMA Acrylic with Glass Fibre
- Online Heater (Optional)
- Galvanised Frame
- Easy Service
- Disinfection Ozonizer
- Electrical Leakage Protection
- Dry Run Protection



- 6 LED Whirlpool
- 12 LED Bubble

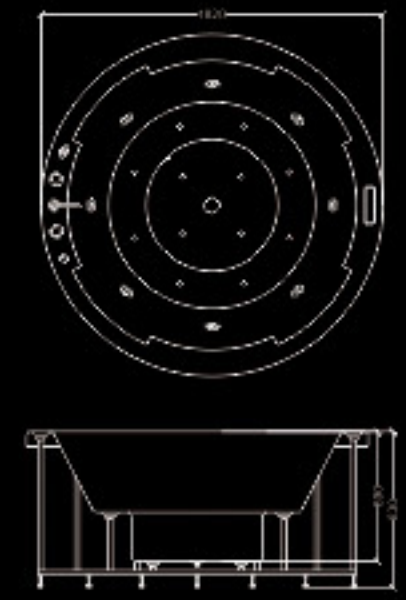


Model : OLIVER NX
Size: 1820 x 1820 x 830 mm



Elite Series

- Computerized Control
- Acrylic Drip Tray (Optional)
- Faucet Accessories
- Water Level Controller
- Pop-Up Drain System
- Bluetooth Connectivity
- Whirlpool Jet (1.5 HP Pump)
- Chromotherapy
- Air Bubble Bath (750 Watt)
- Reinforced PMMA Acrylic with Glass Fibre
- Online Heater (Optional)
- Galvanised Frame
- Easy Service
- Disinfection Ozonizer
- Electrical Leakage Protection
- Dry Run Protection



8 Whirlpool Jet

16 Bubble Jet

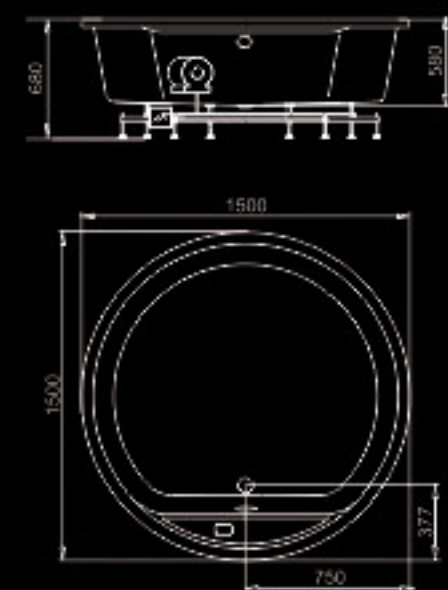
"Comfort, general appearance, great quality"
Excellent emotions for two people.
Choose the system you like best, pick up your relax & enjoy
a pleasure trip through Waterfall.



Elite Series

Model : CORONA
Size: 1500 x 1500 x 680 mm

- Computerized Control
- Faucet Accessories
- Water Level Controller
- Pop-Up Drain System
- Bluetooth (Optional)
- Whirlpool Jet (1.5 HP Pump)
- Chromotherapy
- Air Bubble Bath (750 Watt)
- Reinforced PMMA Acrylic with Glass Fibre
- Online Heater (Optional)
- Galvanised Frame
- Easy Service
- Disinfection Ozonizer
- Electrical Leakage Protection
- Dry Run Protection



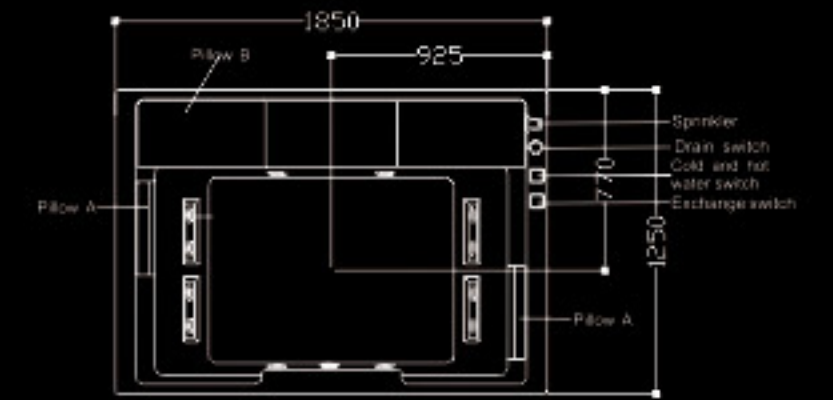
(8+4) Whirlpool Jet



Elite Series

Model : NIKON VX / NIKON DUO
Size : 1810 x 1220 x 610 mm

- Computerized Control
- Waterfall (1.5 HP Pump)
- Faucet Accessories
- Water Level Controller
- Pop-Up Drain System
- Bluetooth (Optional)
- Whirlpool Jet (1.5 HP Pump)
- Chromotherapy
- Air Bubble Bath (750 Watt)
- Reinforced PMMA Acrylic with Glass Fibre
- Online Heater (Optional)
- Galvanised Frame
- Easy Service
- Disinfection Ozonizer
- Electrical Leakage Protection
- Dry Run Protection



(8+4) Whirlpool Jet

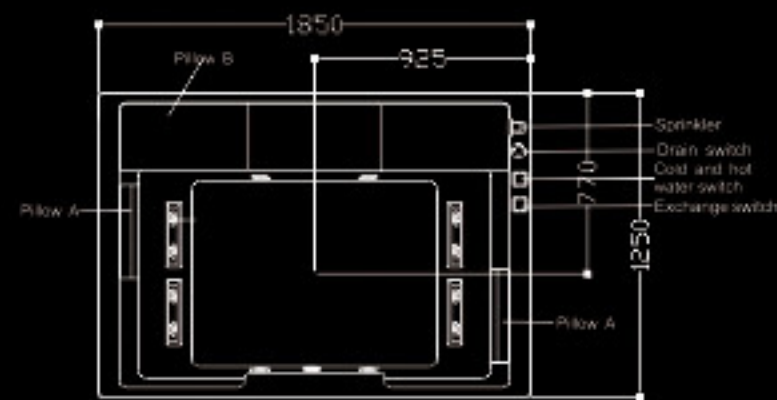


Model : CRYPTO WX / CRYPTO DUO
Size : 1810 x 1220 x 610 mm



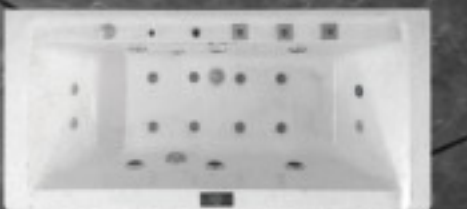
Elite Series

- Computerized Control
- Faucet Accessories
- Water Level Controller
- Pop-Up Drain System
- Bluetooth (Optional)
- Whirlpool Jet (1.0 HP Pump)
- Chromotherapy
- Air Bubble Bath (Optional)
- Reinforced PMMA Acrylic with Glass Fibre
- Online Heater (Optional)
- Galvanised Frame
- Easy Service
- Disinfection Ozonizer
- Electrical Leakage Protection
- Dry Run Protection



(8+4) Whirlpool Jet

6 Air Jet

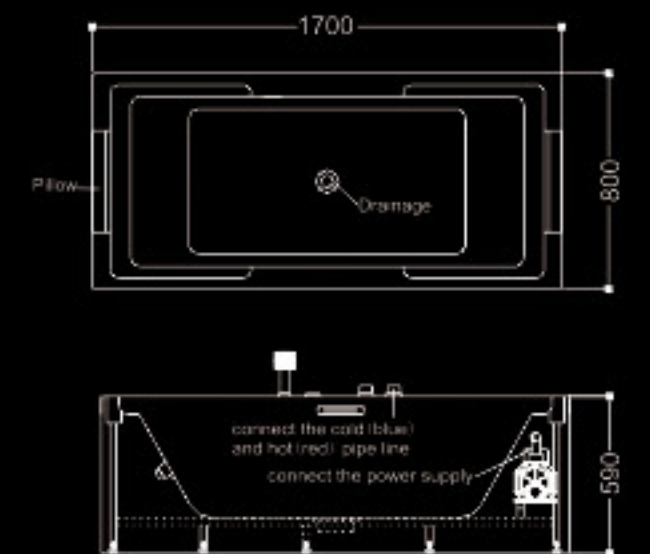


Model : POLO WX / POLO DUO
Size : 1685 x 790 x 650 mm



Elite Series

- Computerized Control
- Faucet Accessories
- Water Level Controller
- Pop-Up Drain System
- Bluetooth Connectivity
- Whirlpool Jet (1.0 HP Pump)
- Chromotherapy
- Air Bubble Bath (750 Watt)
- Reinforced PMMA Acrylic with Glass Fibre
- Online Heater (Optional)
- Galvanised Frame
- Easy Service
- Disinfection Ozonizer
- Electrical Leakage Protection
- Dry Run Protection



6 Whirlpool Jet

10 Bubble Jet

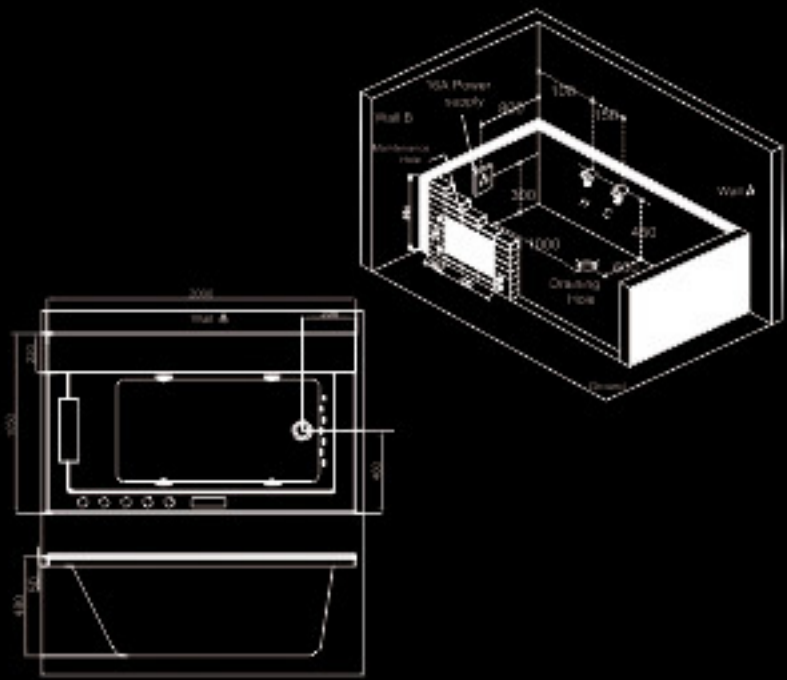
Overflow Whirlpool Bathtub

RIVERFLOW bathtub is designed to be shared and used in large bathrooms. RIVERFLOW bathtub caters for luxury bathing and enhance the room's appearance.

Model : RIVER FLOW
Size : 2000 x 1050 x 480 mm



- Computerized Control
- Faucet Accessories
- Water Level Controller
- Pop-Up Drain System
- Whirlpool Jet (1.0 HP Pump)
- Chromotherapy
- Air Bubble Bath (750 Watt)
- Reinforced PMMA Acrylic with Glass Fibre
- Online Heater (Optional)
- Galvanised Frame
- Easy Service
- Disinfection Ozonizer
- Electrical Leakage Protection
- Dry Run Protection



7 Whirlpool Jet

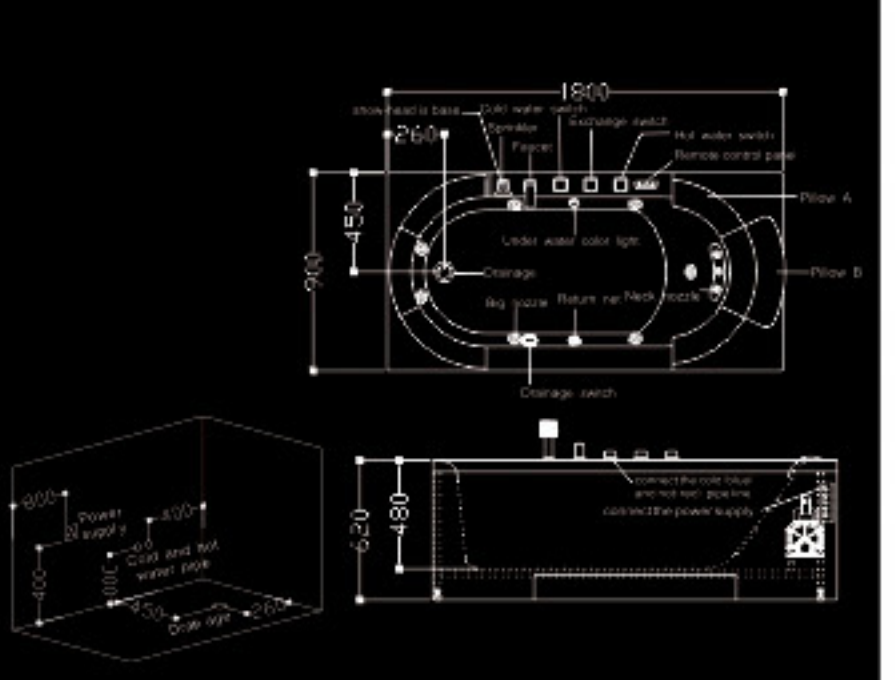
3 Spinal Jet



Model : MARCO
Size : 1800 x 900 x 620 mm



- Computerized Control
- Faucet Accessories
- Water Level Controller
- Pop-Up Drain System
- Bluetooth Connectivity
- Whirlpool Jet (1.5 HP Pump)
- Chromotherapy
- Air Bubble Bath (750 Watt)
- Reinforced PMMA Acrylic with Glass Fibre
- Online Heater (Optional)
- Galvanised Frame
- Easy Service
- Disinfection Ozonizer
- Electrical Leakage Protection
- Dry Run Protection





Model : MOPSA
Size: 1850 x 900 x 660 mm

Beauty lovers cannot stay indifferent to the Mopsa design. With the headrest it incorporates and its fluid and harmonious curves its minimalist nature is enhanced.

Elite Series

Computerized Control	Faucet Accessories	Water Level Controller	Pop-Up Drain System	Whirlpool Jet (1.0 HP Pump)
Chromotherapy	Air Bubble Bath (750 Watt)	Reinforced PMMA Acrylic with Glass Fibre	Online Heater (Optional)	Galvanised Frame
Easy Service	Disinfection Ozonizer	Electrical Leakage Protection	Dry Run Protection	



Model : LEONTES
Size: 1800 x 1500 x 700 mm

Elite Series

Computerized Control	Faucet Accessories	Water Level Controller	Pop-Up Drain System	Whirlpool Jet (1.5 HP Pump)
Chromotherapy	Air Bubble Bath (750 Watt)	Reinforced PMMA Acrylic with Glass Fibre	Online Heater (Optional)	Galvanised Frame
Easy Service	Disinfection Ozonizer	Electrical Leakage Protection	Dry Run Protection	

- 4 Whirlpool Jet
- 4 Spinal Jet
- 8 Bubble Jet



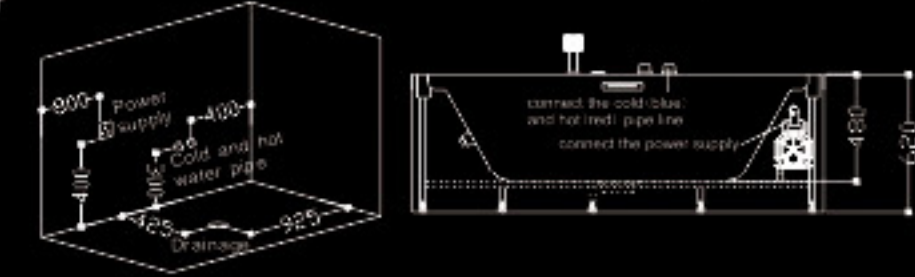
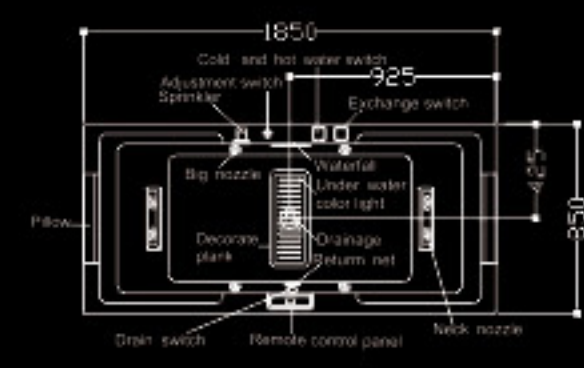
Model : ZARA
Size : 1810 x 900 x 640 mm

Comfortable & deep bathtub with wide interior dimension, however occupies the minimum space of the bathroom. The ambivalence of Zara makes possible to fit the bathtubs in every way.



Elite Series

- Computerized Control
- Acrylic Drip Tray
- Faucet Accessories
- Water Level Controller
- Pop-Up Drain System
- Bluetooth Connectivity
- Whirlpool Jet (1.0 HP Pump)
- Chromotherapy
- Air Bubble Bath (750 Watt)
- Reinforced PMMA Acrylic with Glass Fibre
- Online Heater (Optional)
- Galvanised Frame
- Easy Service
- Disinfection Ozonizer
- Electrical Leakage Protection
- Dry Run Protection



- 5 Whirlpool Jet

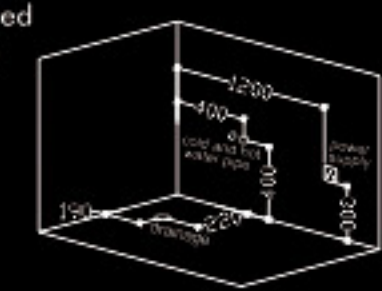
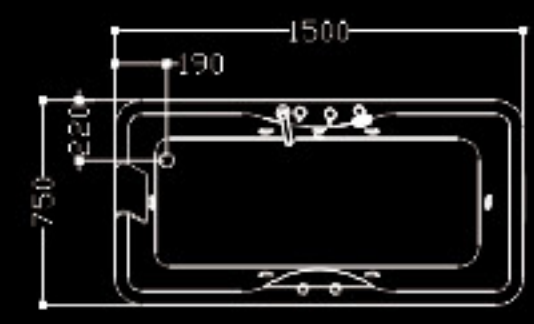


Model : ORBIT
Size: 1500 x 750 x 600 mm



Elite Series

- Pneumatic Control
- Faucet Accessories
- Water Level Controller
- Pop-Up Drain System
- Whirlpool Jet (1.0 HP Pump)
- Chromotherapy
- Air Bubble Bath (750 Watt)
- Reinforced PMMA Acrylic with Glass Fibre
- Online Heater (Optional)
- Galvanised Frame
- Easy Service
- Disinfection Ozonizer
- Electrical Leakage Protection
- Dry Run Protection





Model : JOY OX / JOY WX / JOY NX
Size : 1685 x 790 x 580 mm

Elite Series



Pneumatic Control



Faucet Accessories (Optional)



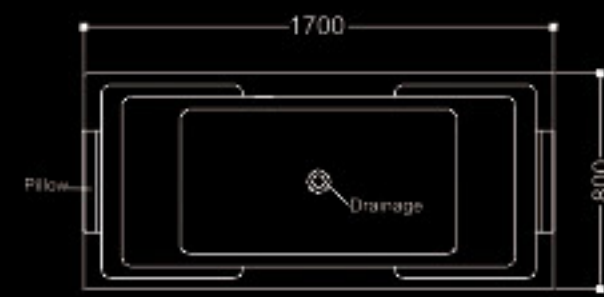
Water Level Controller



Pop-Up Drain System



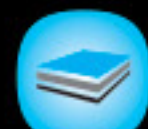
Whirlpool Jet (1.0 HP Pump)



Chromotherapy



Air Bubble Bath (Optional)



Reinforced PMMA Acrylic with Glass Fibre



Online Heater (Optional)



Galvanised Frame



Easy Service



Disinfection Ozonizer



Electrical Leakage Protection



Dry Run Protection



Model : PASSION WX / PASSION DUO
Size : 1815 x 1210 x 610 mm

Elite Series



Pneumatic Control



Water Level Controller



Pop-Up Drain System



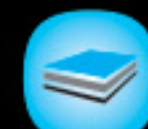
Whirlpool Jet (1.5 HP Pump)



Chromotherapy



Air Bubble Bath (Optional)



Reinforced PMMA Acrylic with Glass Fibre



Online Heater (Optional)



Galvanised Frame



Easy Service



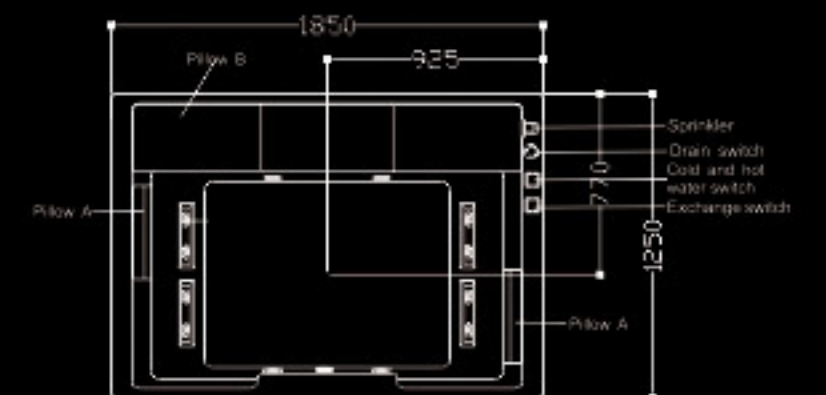
Disinfection Ozonizer



Electrical Leakage Protection



Dry Run Protection

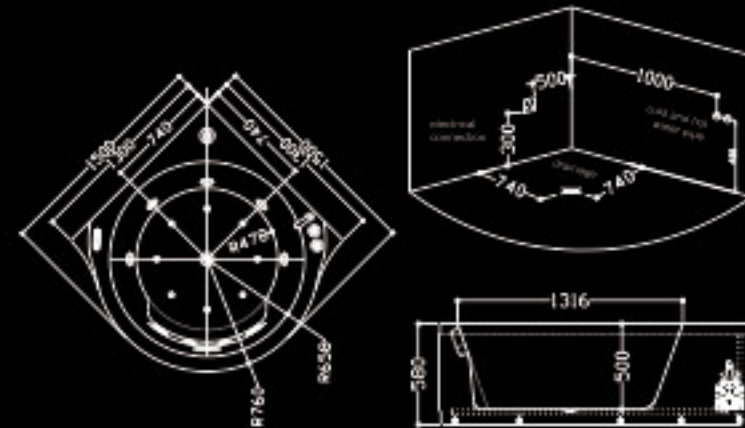




360° Waterfall

Model : OPERA
Size : 1510 x 1510 x 580 mm
Diagonal Size : 1820 mm

- Computerized Control
- 360° Waterfall (2.0 HP Pump)
- Faucet Accessories
- Water Level Controller
- Pop-Up Drain System
- Whirlpool Jet (2.0 HP Pump)
- Chromotherapy
- Air Bubble Bath (750 Watt)
- Reinforced PMMA Acrylic with Glass Fibre
- Online Heater (Optional)
- Galvanised Frame
- Easy Service
- Disinfection Ozonizer
- Electrical Leakage Protection
- Dry Run Protection



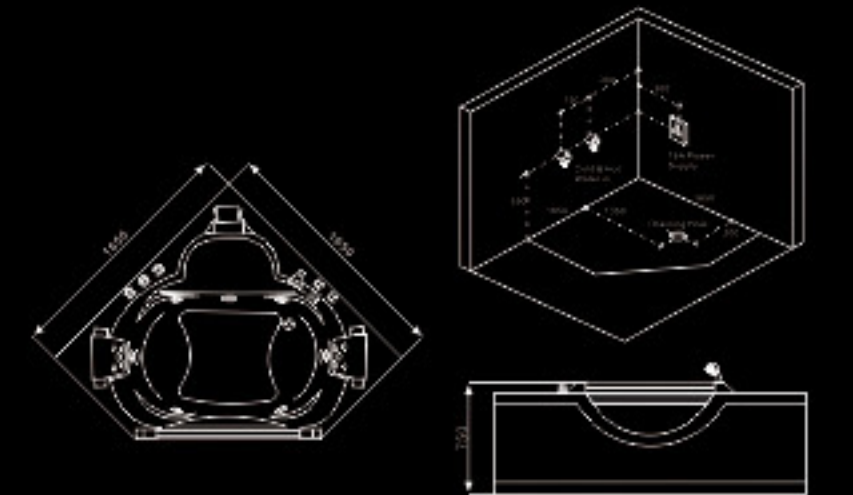
- 6 Whirlpool Jet
- 6 Air Jet



Elegance Series

Model : SILVIUS
Size: 1650 x 1650 x 710 mm

- Computerized Control
- Faucet Accessories
- Water Level Controller
- Pop-Up Drain System
- Whirlpool Jet (1.5 HP Pump)
- Chromotherapy
- Air Bubble Bath (750 Watt)
- Reinforced PMMA Acrylic with Glass Fibre
- Online Heater (Optional)
- Galvanised Frame
- Easy Service
- Disinfection Ozonizer
- Electrical Leakage Protection
- Dry Run Protection



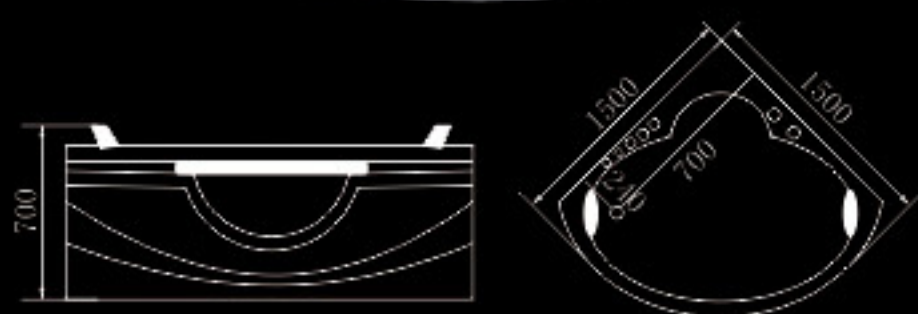
Model : GRAND-14X / GRAND-15X
Size: 1420x1420x570 / 1490x1490x570 mm

- Computerized Control
- Faucet Accessories
- Water Level Controller
- Pop-Up Drain System
- Whirlpool Bath (1.5 HP Pump)
- Chromotherapy
- Air Bubble Bath (Optional)
- Galvanised Frame
- Reinforced PMMA Acrylic with Glass Fibre
- Bluetooth Connectivity
- Easy Service
- Disinfection Ozonizer
- Electrical Leakage Protection
- Dry Run Protection



Model : KITE OX / KITE DUO / KITE DX
Size: 1530 x 1530 x 680 mm

- Computerized Control (Optional)
- Faucet Accessories
- Water Level Controller
- Pop-Up Drain System
- Whirlpool Bath (1.5 HP Pump)
- Chromotherapy
- Air Bubble Bath (Optional)
- Galvanised Frame
- Reinforced PMMA Acrylic with Glass Fibre
- Easy Service
- Disinfection Ozonizer
- Electrical Leakage Protection
- Dry Run Protection



Elegance Series



Model : ZYRA PX-170
Size : 1700 x 800 mm



Model : ZYRA DX-180
Size : 1800 x 800 mm

- Computerized Control
- Faucet Accessories
- Water Level Controller
- Pop-Up Drain System
- Bluetooth Connectivity
- Whirlpool Jet (1.0 HP Pump)
- Chromotherapy
- Air Bubble Bath (750 Watt)
- Reinforced PMMA Acrylic with Glass Fibre
- Online Heater (Optional)
- Galvanised Frame
- Easy Service
- Disinfection Ozonizer
- Electrical Leakage Protection
- Dry Run Protection

Computerized Control & Bubble Bath are not available in ZYRZ PX-170 model.



Bluetooth
Connectivity

Model : ZEUS-DX
Size: 1800 x 1200 x 680 mm

- | | | | | | |
|-----------------------------|--------------------|----------------------------|--|--------------------------|--|
| | | | | | |
| Computerized Control | Faucet Accessories | Water Level Controller | Pop-Up Drain System | Bluetooth Connectivity | |
| | | | | | |
| Whirlpool Jet (1.0 HP Pump) | Chromotherapy | Air Bubble Bath (750 Watt) | Reinforced PMMA Acrylic with Glass Fibre | Online Heater (Optional) | |
| | | | | | |
| Galvanised Frame | Easy Service | Disinfection Ozonizer | Electrical Leakage Protection | Dry Run Protection | |



Bluetooth
Connectivity

Model : KORNET-CX
Size: 1500 x 1500 x 680 mm

- | | | | | | |
|-----------------------------|--------------------|----------------------------|--|--------------------------|--|
| | | | | | |
| Computerized Control | Faucet Accessories | Water Level Controller | Pop-Up Drain System | Bluetooth Connectivity | |
| | | | | | |
| Whirlpool Jet (1.0 HP Pump) | Chromotherapy | Air Bubble Bath (750 Watt) | Reinforced PMMA Acrylic with Glass Fibre | Online Heater (Optional) | |
| | | | | | |
| Galvanised Frame | Easy Service | Disinfection Ozonizer | Electrical Leakage Protection | Dry Run Protection | |

DESIGN

| 32 |



COLSTON[®]
FOR ELEGANT BATHROOMS

Model : ELEGANT
Size: 1600 x 800 x 680 mm

Design Series

| 33 |



Model : ACE-BLACK
Size: 1800 x 800 x 770 mm
Color Option : Black & White

Design Series



Model : PEARL
Size: 1800 x 850 x 730 mm

Model : VASCO
Size : 1700 x 700 x 700 mm

Design Series

Model : SHARP
Size: 1700 x 800 x 600 mm



Model : ENVY
Size : 1700 x 750 x 600 mm



Design Series



Model No. : ROMA-05
Size : 1520 x 760 x 550 mm

6 Whirlpool Jet

3 Side Skirt (Optional)

- Pneumatic Control
- Faucet Accessories (Optional)
- Water Level Controller
- Pop-Up Drain System
- Whirlpool Bath (1.5 HP Pump)
- Chromotherapy
- Air Bubble Bath (Optional)
- Galvanised Frame
- Reinforced PMMA Acrylic with Glass Fibre
- Easy Service
- Disinfection Ozonizer
- Electrical Leakage Protection
- Dry Run Protection

Model No. : ROMA-06
Size : 1675 x 765 x 530 mm

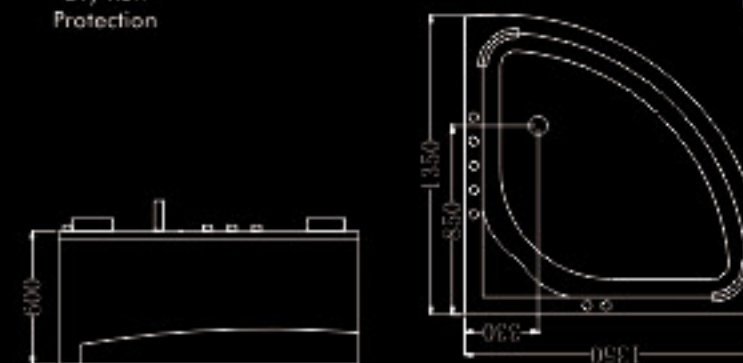
- Pneumatic Control
- Faucet Accessories (Optional)
- Water Level Controller
- Pop-Up Drain System
- Whirlpool Bath (1.5 HP Pump)
- Chromotherapy
- Air Bubble Bath (Optional)
- Galvanised Frame
- Reinforced PMMA Acrylic with Glass Fibre
- Easy Service
- Disinfection Ozonizer
- Electrical Leakage Protection
- Dry Run Protection

6 Whirlpool Jet

Front Skirt (Optional)



Model No. : ELDO-X
Size : 1420 x 1420 x 600 mm
1500 x 1500 x 600 mm



Model No. : KERRY-107
Size : 1505 x 1505 x 455 mm
1420 x 1420 x 455 mm
1355 x 1355 x 430 mm

Key Features :

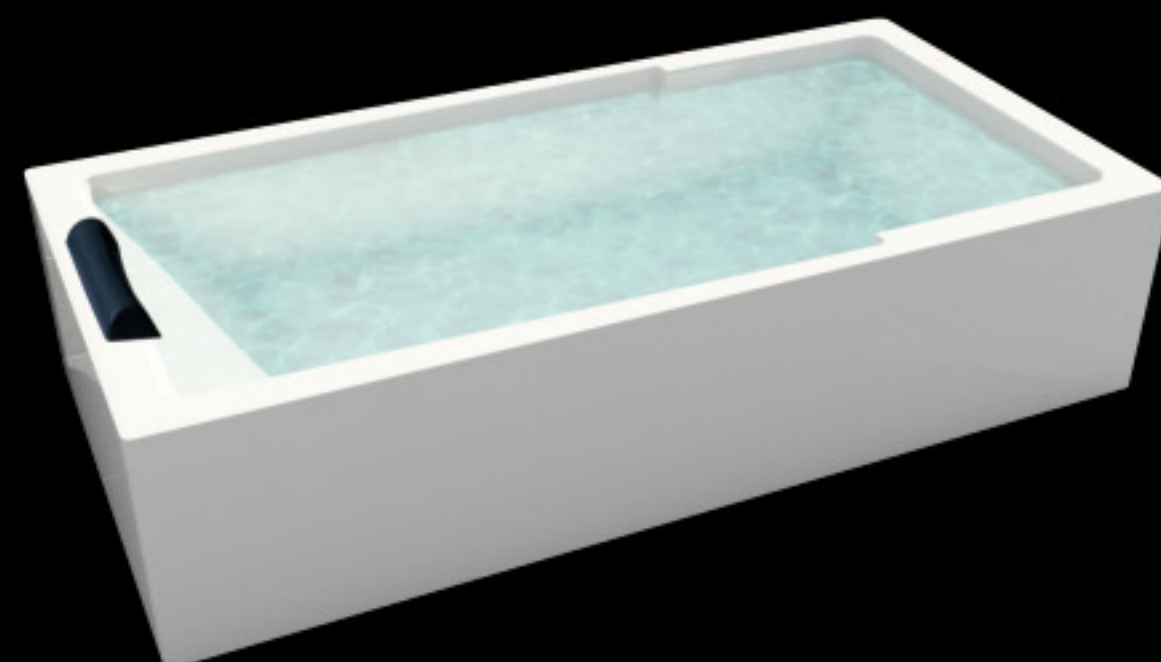
- Hydraulic Massage (Optional)
- Under Water Color Changeable Light (Optional)
- Headrest (Optional)



Model No. : KERRY-113
Size : 1815 x 1210 x 610 mm

Key Features :

- Plain Bath Tub
- Front & Side Panel (Optional)
- Hydraulic Massage (Optional)
- Headrest (Optional)



Model No. : KERRY-102
Size : 1850 x 910 x 490 mm
1670 x 910 x 490 mm

Key Features :

- Plain Bath Tub
- Hydraulic Massage (Optional)
- Front & Side Panel
- Headrest (Optional)

Model No. : FERRO
Size : 1830 x 1855 x 483 mm

Key Features :

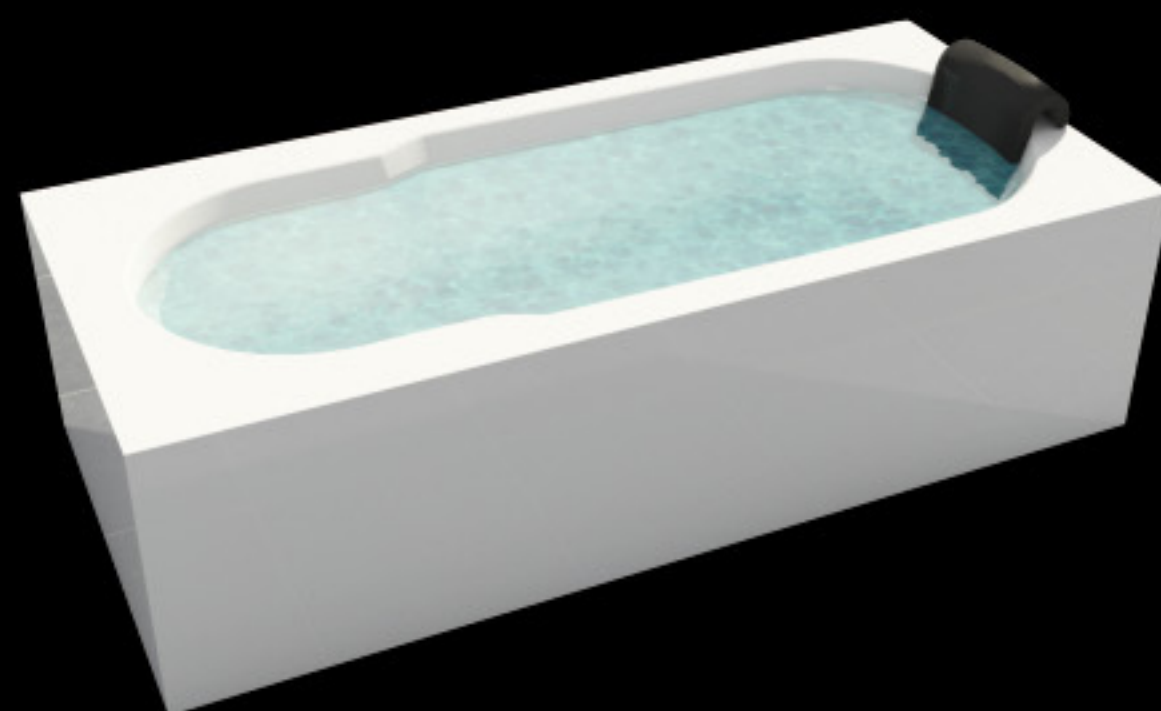
- Plain Bath Tub
- Front & Side Panel (Optional)
- Hydraulic Massage (Optional)
- Headrest (Optional)



Model No. : KERRY-101
Size : 1678 x 770 x 490 mm
1525 x 770 x 490 mm

Key Features :

- Plain Bath Tub
- Hydraulic Massage (Optional)
- Front & Side Panel (Optional)
- Headrest (Optional)

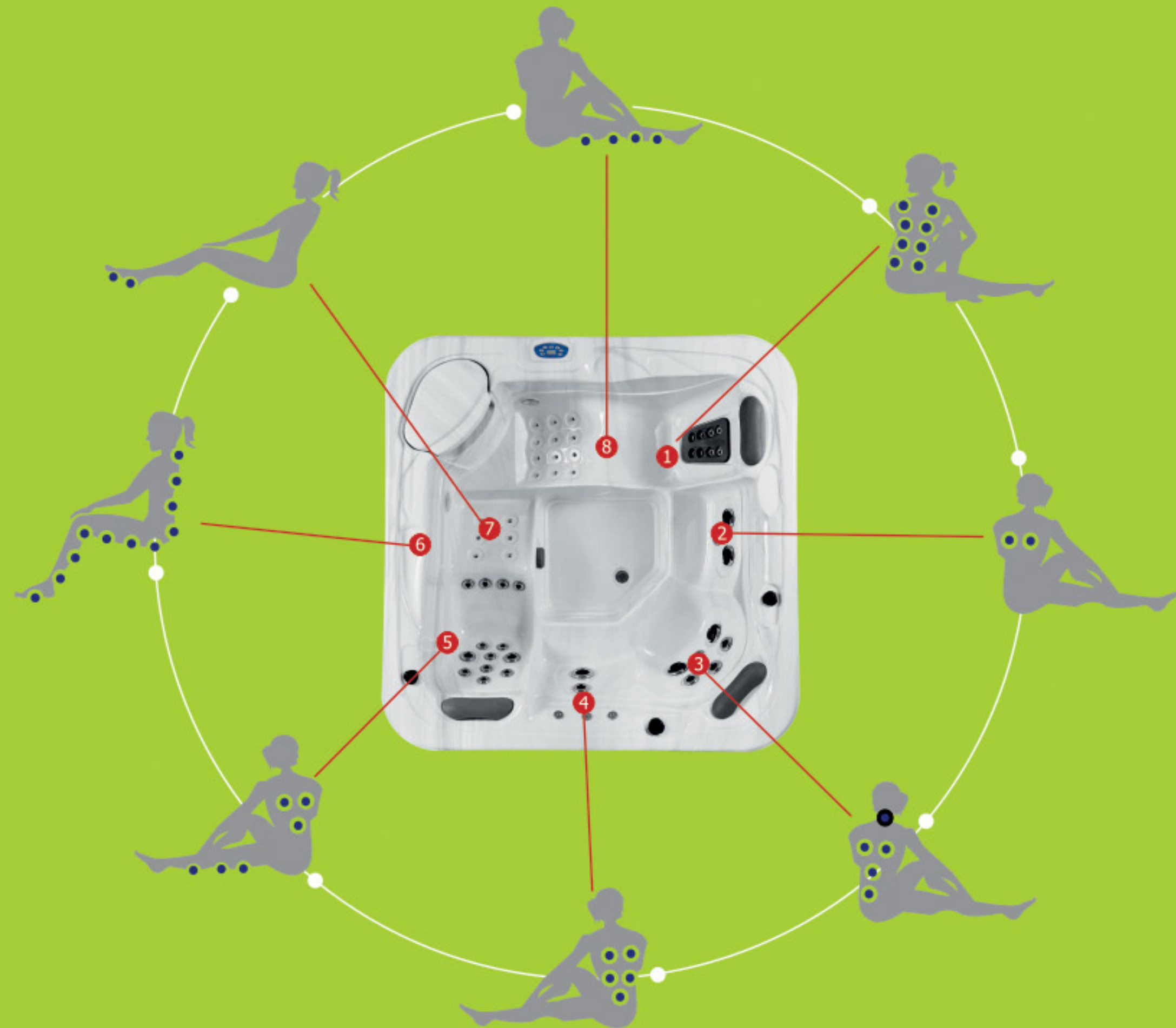


Model No. : LY-111
Size : 1500 x 1500 x 680 mm

Key Features :

- Sunken Bath Tub
- Four Sitter
- Hydraulic Massage (Optional)
- Under Water Color Changeable Light (Optional)

OUTDOOR SPA



Massages

OUTDOOR SPA

Stylish design

The Spa collection by Colston have a sophisticated stylish design, impeccable finishes and perform to the very highest standards. The designer style panels in the range have an understated and refined appeal and are all produced using top quality materials so you can choose the finish which best suits the décor of your home or the style of your garden.



The positions of well-being

Every ergonomic Spa seat is fitted with different Jets of varying intensity, positioned to stimulate and relax specific parts of the body. By changing the combinations of Jets in the seats, you can relax with a soft, soothing massage or be rejuvenated with a toning, destressing massage.

Neck, shoulders and mediadorsal muscles: Massage localised on the points where stress is usually felt most. A massage of the neck and trapezius muscles relieves the tension caused by a sedentary job or constant car or aeroplane journeys.

Feet, calves and thighs: The thighs and the rest of the legs benefit in particular from these Jets.

General massage: The Jets located on the bottom of Spa produce a delicate swirling massage.

Clean and hygienic, always

Whether your spa is used for domestic or professional purposes, keeping the water scrupulously clean is an essential requirement.

The large filtering surface of the cartridge **filters** installed on every pump in the spas, ensures the water is cleaned quickly and effectively.

All the Colston Spa models are fitted with a **filter** which provides superior filtration and, as a result, incomparable cleanliness.

The ozone system increases the effectiveness of the filtration, it neutralises bacterial growth and guarantees maximum hygiene.

The internal shape of Colston Spa also means the spa can be emptied completely, making it easier to clean and service.



Installing a Spa, it couldn't be easier

The steel structure of the Colston spas not only makes installation easy, it also guarantees sturdiness and durability over time.

Installation and spas from infiltrations and external agents. The Spa models are also quick and easy to install because the frames on both the pool and the Spa Pack have adjustable feet.

Sustainable wellbeing

Colston spas are insulated with closed cell expanded polyurethane, restricting heat loss and thus guaranteeing energy savings. The version with heat exchanger, available for the Spa models, delivers further energy savings and speeds up the time needed to heat the water. The wooden perimeter structure keeps vibrations to a minimum and the sound-absorbent panels around the sides and on the bottom of the Spa models help improve sound insulation, making the whole spa experience even more enjoyable. The insulating cover helps keep heat in, prevents the filters from premature wear and tear and protects Spa from leaves, insects and impurities.

Long-lasting wellbeing

Colston Spa are designed to last, thanks to the top rate materials and technologies used in its construction which are certified for their strength and safety. The high quality standards of the Colston spas make these products ideal for both domestic and professional use.



Comfort

Colston Spa is always ready to use: the system automatically keeps the water temperature constant. The water remains in the pool for long periods of time and is always clean and sanitised thanks to the filtration and ozonisation system. The only time you need to completely empty the spa is when it is not going to be used for a long period of time.

Colston Spa is easy to get into, thanks to the step built into the shell. The outside steps, available in the same finish as the panels, also makes entering Colston spas safe.



Ergonomic seats, soft padded headrests and easy, intuitive controls are guaranteed to make your spa experience truly gratifying.

And your wellbeing will be complete with the chromotherapy function and preset programmes and hydrotherapy, which lets you gradually release your favourite essence through the air pool circuit.

The optional **Bluetooth** entertainment system, fitted with concealed vibrating loudspeakers, enables you to use your own audio device for high quality sound.



Model : ALPHA-05
Size : 2150 x 2150 x 950 mm



Outdoor Spa Series



Model : ALPHA-03
Size : 2000 x 1500 x 800 mm



Outdoor Spa Series



Model : ALPHA-06
Size : 2350 x 2250 x 900 mm



Outdoor Spa Series



Model : ALPHA-01
Size : 1800 x 1050 x 800 mm



Outdoor Spa Series



Model : ALPHA-08
Size : 4030 x 2300 x 950 mm



Outdoor Spa Series



Model : ALPHA POOL
Size : 5840 x 2240 x 1250 mm

Outdoor Spa Series



Model : SUPER-06
Size : 2120 x 2120 x 900 mm

Functions:

Seat	6 Person Adult
Dimensions	2150 x 2150 x 950 mm
FM	FM/CD
Water Capacity	1000 L
Weight with Water	1280 Kg
Water Pumps	2 Pc 1500 W
Rotating Jet	3 Pc 5" S.S Rotating Jet 14 Pc 3" S.S Rotating Jet
Fix Jet	34 Pcs Small Jet
Airpool Jets	10 Pcs Air Bubble Jet
Ozone System	1 Pc
Pillow / Back Rest	4 Pcs Pillow
Control Panel	Computer Control Panel
Light/chromoterapy	2 Pcs Colorful Lamp 16 Pcs Led
Electrical Requirements	-
Power Supply	6.7 K.W Power
Heater	3 K.W Heater -1 Pc
Air Pump	400 W
Air Adjuster	2 Pcs
Filter	1 Pc Drifting Filter
Water Drainage	1 Pc
Acrylic Color	White Other Colors Optional
Skirt Color	Coffee Brown Other Colors Optional

Model : SUPER-03
Size : 1900 x 1350 x 800 mm

Functions:

Seat	3 Person Adult
Dimensions	1900 x 1350 x 800 mm
FM	FM/CD
Water Capacity	600 L
Weight with Water	778 Kg
Water Pumps	1 Pc 2200 W
Rotating Jet	1 Pc 5" Roatating Jet (with led) 3 Pcs 3" Roatating Jet (with led) 4 Pcs 2" Roatating Jet
Fix Jet	26 Pcs Small Jet
Airpool Jets	8 Pcs Air Bubble Jet
Ozone System	1 Pc
Pillow / Back Rest	1 Pc Pillow
Control Panel	Computer Control Panel
Light/chromoterapy	1 Pcs Underwater Light 18 Pcs Led
Electrical Requirements	-
Power Supply	5.6 K.W Power
Heater	3 K.W Heater -1 Pc
Air Pump	400 W
Air Adjuster	2 Pcs
Filter	1 Pc Drifting Filter
Water Drainage	1 Pc
Acrylic Color	White Other Colors Optional
Skirt Color	Coffee Brown Other Colors Optional



Outdoor Spa Series



ALPHA-05



ALPHA-06



ALPHA-03

Seat	5 Person Adult	6 Person Adult	3 Person Adult
Dimensions	2150 x 2150 x 950 mm	2350 x 2250 x 900 mm	2000 x 1500 x 800 mm
Bluetooth / FM	Bluetooth	Bluetooth	Bluetooth
Water Capacity	1300 L	1400 L	1000 L
Weight with Water	1640 Kg.	1785 Kg.	1215 Kg.
Water Pumps	1 Pc 1500 W & 1 Pc 2200 W	1 Pc 1500 W & 1 Pc 2200 W	1 Pc 350 W & 1 Pc 1500 W
Rotating Jet	1 Pc 5" S.S Roatating Jet 4 Pcs 4.5" Rotating Jet 7 Pcs 3.5" S.S Rotating Jet	1 Pc 5" S.S Roatating Jet 7 Pcs 4.5" Rotating Jet 8 Pcs 3.5" S.S Rotating Jet	2 Pcs 5" S.S Roatating Jet 5 Pcs 3.5" S.S Rotating Jet
Fix Jet	2 Pcs 2.5" Stainless Steel Direct Jet 8 Pcs Small Jet	12 Pcs 2.5" Stainless Steel Direct Jet 8 Pcs Small Jet	6 Pcs 2.5" Stainless Steel Direct Jet 8 Pcs Small Jet
Airpool Jets	26 Pcs Air Bubble Jet	22 Pcs Air Bubble Jet	8 Pcs Air Bubble Jet
Water Column / Waterfall	3 Pcs Water Column	3 Pcs Water Column	
Ozone System	1 Pc	1 Pc	1 Pc
Pillow / Back Rest	3 Pcs Pillow & 1 Pc Back Rest	3 Pcs Pillow & 1 Pc Back Rest	2 Pcs Pillow & 1 Pc Back Rest
Control Panel	Computer Control Panel	Computer Control Panel	Computer Control Panel
Light/chromoterapy	2 Pcs Water Bottom Light 10 Pcs Small Led	1 Pc Water Bottom Light 6 Pcs Small Led	1 Pc Water Bottom Light 8 Pcs Small Led
Electrical Requirements	--	--	--
Power Supply	5.6 K.W Power	5.5 K.W Power	4.8 K.W Power
Heater	3 K.W Heater -1 Pc	3 K.W Heater -1 Pc	3 K.W Heater -1 Pc
Air Pump	700 W	700 W	300 W
Air Adjuster	2 Pcs	2 Pcs	2 Pcs
Filter	1 Pc Float Filter with Cover	1 Pc Float Filter with Cover	1 Pcs Float Filter with Cover
Water Drainage	1 Pc	1 Pc	1 Pc
Acrylic Color	Pearl White Other Colors Optional	Pearl White Other Colors Optional	Pearl White Other Colors Optional
Skirt Color	Coffee Brown Other Colors Optional	Coffee Brown Other Colors Optional	Coffee Brown Other Colors Optional

Outdoor Spa Series



ALPHA-01



ALPHA-08



ALPHA POOL

Seat	1 Person Adult	8 Person Adult	2 Person Adult + 1 Pool
Dimensions	1800 x 1050 x 800 mm	4030 x 2300 x 950 mm	5840 x 2240 x 1250 mm
Bluetooth / FM	Bluetooth	Bluetooth	Bluetooth
Water Capacity	350 L	2500 L	--
Weight with Water	511 Kg.	3065 Kg.	--
Water Pumps	1 Pc 2.0 HP	1.5 KW x 3	2.25 KW x 3
Rotating Jet	1 Pc 5" S.S Roatating Jet 2 Pcs 3" S.S Rotating Jet 2 Pcs 2" S.S Rotating Jet	1 Pc 5" LED Jet 3 Pcs 5" Rotating Jet 15 Pcs 3" Rotating Jet, 26 Pcs 2" Rorating Jet	8 Pc 5" Power Jet 2 Pcs 5" Rotating Jet
Fix Jet	13 Pcs Small Jet	20 Pcs Small Jet	38 Pcs Small Jet
Airpool Jets	8 Pcs Air Bubble Jet	8 Pcs Air Bubble Jet	8 Pcs Air Bubble Jet
Water Column / Waterfall	1 Pc Waterfall	6 Pc Waterfall with Light	6 Pc Waterfall with Light
Ozone System	--	1 Pc	1 Pc
Pillow / Back Rest	1 Pc Pillow	3 Pcs Pillow	2 Pcs Pillow
Control Panel	Computer Control Panel	Computer Control Panel	Computer Control Panel
Light/chromoterapy	14 Pcs Small Led	12 Pcs Air Jet Light	3 Pcs Colorful Light
Electrical Requirements	--	--	--
Power Supply	5.1 K.W Power	8.97 K.W Power	13.5 K.W Power
Heater	--	3 K.W Heater -1 Pc	3 K.W Heater -1 Pc
Air Pump	--	700 W	700 W
Air Adjuster	1 Pc	5 Pcs	5 Pcs
Filter	1 Pcs Float Filter with Cover	1 Pc Float Filter with Cover	1 Pc Float Filter with Cover
Water Drainage	1 Pc	1 Pc	1 Pc
Acrylic Color	White	White	White
Skirt Color	Coffee Brown	Coffee Brown	Coffee Brown

Outdoor Spa Series

INFRARED SAUNAS



Designed with relaxation and lifestyle in mind, Wellness Saunas offer Infrared Saunas to suit every lifestyle.

Offering a range of sizes to cater to your individual needs, starting with single person, 2-person, 3-person and spacious 4-person Saunas. Visit Wellness Saunas for more information about choosing the right sauna for you.

In Infrared Saunas, The major difference is the heat source; in this case it's infrared heat. Our range of Infrared Saunas offer ultimate comfort and relaxation, using this unique heat source to provide a clean and dry beneficial heat.

Infrared Saunas are designed to deliver a number of relaxing benefits and could also be used to aid with:

- Relieving muscle tension • Assisting with relaxation and rest • Detoxing • Promote wellness

Our Infrared Saunas come fully equipped with a control panel that allows you to set the sauna to your perfect temperature. The control panel also offers a variety of functionalities from Bluetooth to setting your sauna's timer. The control panel makes Wellness Saunas easy to operate, and to program your perfect sauna experience.

TRADITIONAL SAUNAS

Heat 185 - 195 degrees F

More superficial heating

Sweat happens at higher temperatures

Requires more power

Uses a heat stove as a heat source

More humidity control

VS

INFRARED SAUNAS

Heat 120 - 160 degrees F

Deep superficial heating

More Sweating at lower temperatures

Requires less power

Uses infrared light in panels as a heat source

Less humidity control

Perfect sauna rooms are made of top material. We choose world top natural wood, high quality culture stone & safe tempered glass as our materials.

Hemlock wood with the characters of soft wood, natural high corrosion & excellent stability & long life, it can used as decoration of external wall of high-end villa. Colston choose A level Hemlock wood without wood knots to make elegant sauna rooms.



Chromotherapy Lighting

INFRARED SAUNAS



PIXEL-01 (1 Person)

Specifications:

Size: 900 x 910 x 1900 mm
Total: 1 person
Material: Hemlock
Heater: Carbon
Power: 220-240V/1400W

FEATURES:

- Chromotherapy Lighting
- Bluetooth Entertainment
- Superior Control Panel
- Tempered Glass



Bluetooth
Connectivity

PIXEL-02 (2 Person)

Specifications:

Size: 1200 x 1010 x 1900 mm
Total: 2 person
Material: Hemlock
Heater: Carbon
Power: 220-240V/1700W

FEATURES:

- Chromotherapy Lighting
- Bluetooth Entertainment
- Superior Control Panel
- Tempered Glass



Bluetooth
Connectivity



INFRARED SAUNAS



PIXEL-03 (3 Person)

Specifications:

Size: 1500 x 1110 x 1900 mm
Total: 3 person
Material: Hemlock
Heater: Carbon
Power: 220-240V/2100W

FEATURES:

- Chromotherapy Lighting
- Bluetooth Entertainment
- Superior Control Panel
- Tempered Glass



Bluetooth
Connectivity

PIXEL-04 (4 Person)

Specifications:

Size: 1800 x 1210 x 1900 mm
Total: 4 person
Material: Hemlock
Heater: Carbon
Power: 220-240V/2400W

FEATURES:

- Chromotherapy Lighting
- Bluetooth Entertainment
- Superior Control Panel
- Tempered Glass

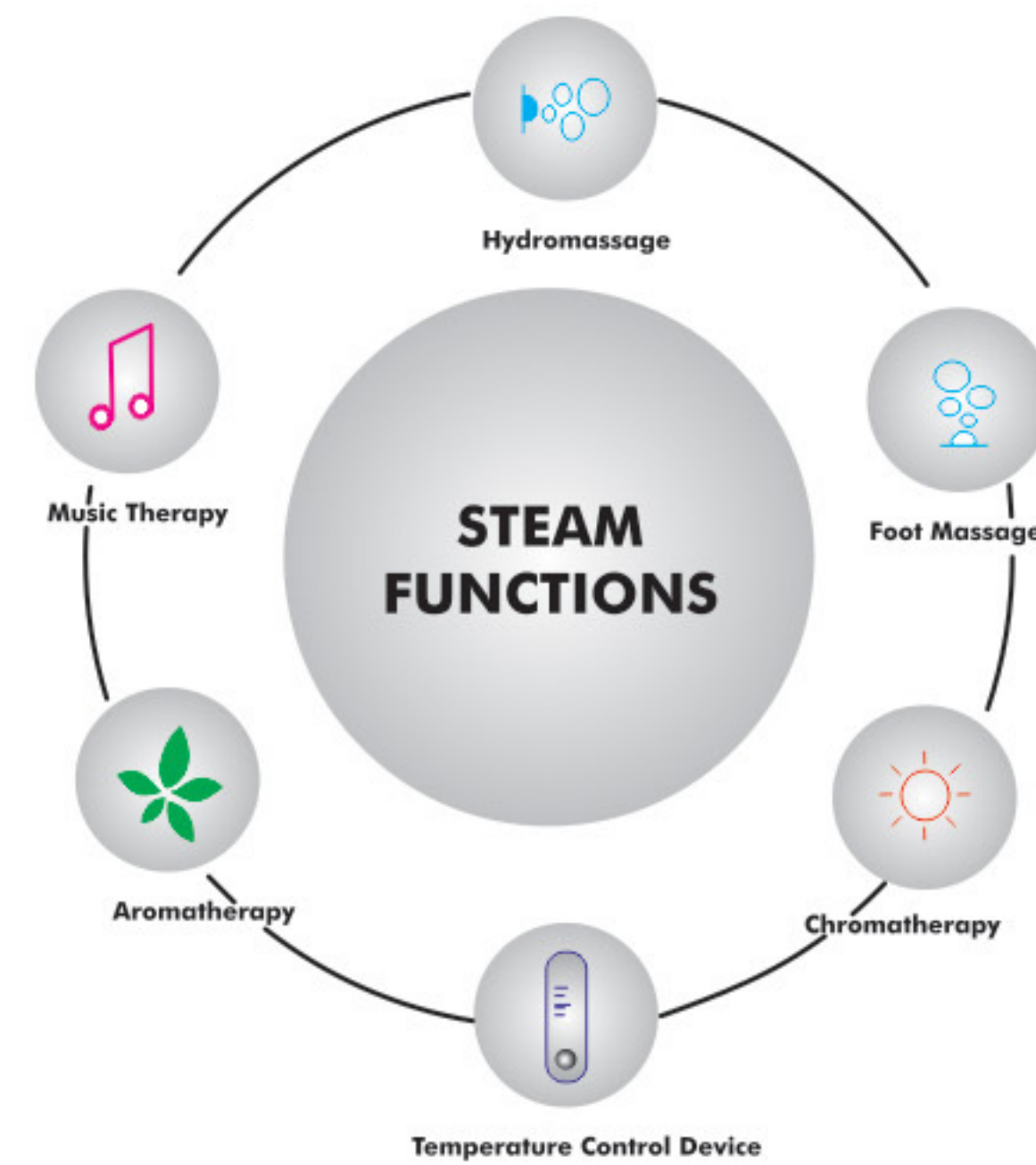


Bluetooth
Connectivity



STEAM

FUNCTIONS



Hydromassage

Hand Shower

Fixed Shower Head

Steam Bath

Radio

Chromotherapy



Model : OBENTO
Size : 1800 x 1100 x 2230 mm

Sauna Steam Room

- | | | | | | | |
|--|--|--|--|--|--|--|
| | | | | | | |
| | | | | | | |
| | | | | | | |



Model : ZEM
Size : 1630 x 1630 x 2200 mm

Steam Room Series

-
-
-
-
-

- | | | | | | | | |
|--|--|--|--|--|--|--|--|
| | | | | | | | |
| | | | | | | | |
| | | | | | | | |



Model: VALINA
Size: 1630 x 1630 x 2200 mm

Steam Room Series

Computerized Control	Steam (3.0 K.W)	Faucet Accessories	Water Level Controller	Hot & Cold Mixer	Pop-Up Drain System	Foot Massager	
Whirlpool Bath (1.5 HP Pump)	Hydromassage Jets	Dome LED & Chromotherapy	Multi Flow Hand Shower	Bluetooth Connectivity	Aromatherapy (Optional)	Galvanised Frame	
Water Diverter Switch	Reinforced PMMA Acrylic with Glass Fibre	Easy Service	Disinfection Ozonizer	Electrical Leakage Protection	Dry Run Protection		



Color Changeable Lights

Model : ZED
Size: 1150 x 1150 x 2240 mm

Scottish Series

Computerized Control	Steam (3.0 K.W)	Faucet Accessories	Water Level Controller	Hot & Cold Mixer	Pop-Up Drain System	
Dome LED & Chromotherapy	Multi Flow Hand Shower	Aromatherapy (Optional)	Foot Massager	Water Diverter Switch	Reinforced PMMA Acrylic with Glass Fibre	
Easy Service	Disinfection Ozonizer	Electrical Leakage Protection	Dry Run Protection			



Model : FABIO BLACK
Size : 1350 x 900 x 2200 mm

Glass Series

Computerized Control	Steam (3.0 K.W)	Faucet Accessories	Water Level Controller	Hot & Cold Mixer	Pop-Up Drain System	Black Looking Mirror
Needle Steam Outlet	Dome LED & Chromotherapy	Multi Flow Hand Shower	Aromatherapy (Optional)	Acrylic Transparent Bench	Waterproof Wooden Floor	
Water Diverter Switch	Reinforced PMMA Acrylic with Glass Fibre	Easy Service	Disinfection Ozonizer	Electrical Leakage Protection	Dry Run Protection	



Model : FUSION BLACK
Size : 1200 x 800 x 2110 mm
900 x 900 x 2110 mm

Steam Cabin

Push Control	Steam (3.0 K.W)	Faucet Accessories	Water Level Controller	Hot & Cold Mixer	Pop-Up Drain System
Dome LED & Chromotherapy	Multi Flow Hand Shower	Aromatherapy (Optional)	Bluetooth Connectivity	Water Diverter Switch	Reinforced PMMA Acrylic with Glass Fibre
Easy Service	Disinfection Ozonizer	Electrical Leakage Protection	Dry Run Protection		



With Acrylic Seat

Model : NINZA-900
Size : 900 x 900 x 2200 mm

Glass Series



Model : OCTAVIA
Size: 1700 x 1200 x 2200 mm

Sauna Steam Room



Model : NOIR
Size : 1790 x 960 x 2230 mm

Steam Room Series

Computerized Control	Steam (3.0 K.W)	Faucet Accessories	Water Level Controller	Hot & Cold Mixer	Pop-Up Drain System	Foot Massager	
Whirlpool Bath (1.0 HP Pump)	Hydromassage Jets	Dome LED & Chromotherapy	Multi Flow Hand Shower	Black Back Glass	Aromatherapy (Optional)	Galvanised Frame	
Shelf & Tray	Water Diverter Switch	Reinforced PMMA Acrylic with Glass Fibre	Easy Service	Disinfection Ozonizer	Electrical Leakage Protection	Dry Run Protection	



Model : GALET NX
Size : 1700 x 1000 x 2150 mm

Steam Room Series

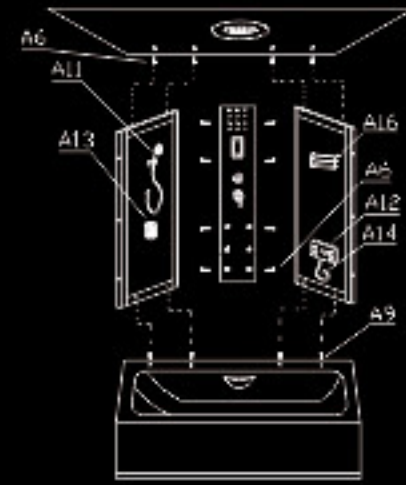
Computerized Control	Steam (3.0 K.W)	Faucet Accessories	Water Level Controller	Hot & Cold Mixer	Pop-Up Drain System	Foot Massager
Whirlpool Bath (1.0 HP Pump)	Hydromassage Jets	Dome LED & Chromotherapy	Multi Flow Hand Shower	Aromatherapy (Optional)	Galvanised Frame	
Water Diverter Switch	Reinforced PMMA Acrylic with Glass Fibre	Easy Service	Disinfection Ozonizer	Electrical Leakage Protection	Dry Run Protection	



Model : AKON
Size: 1500 x 880 x 2180 mm

Steam Room Series

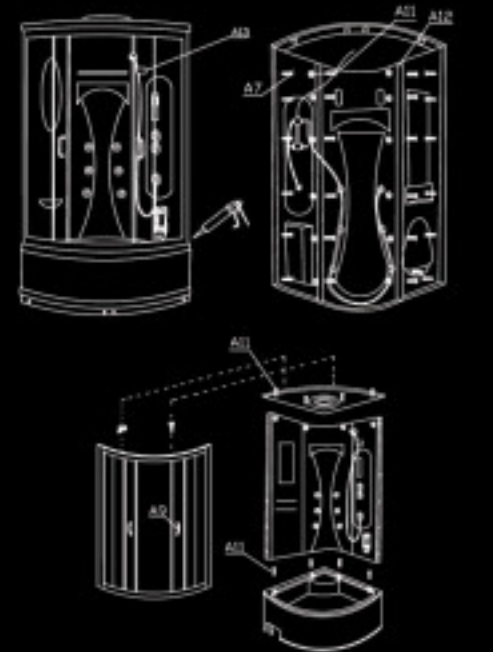
- | | | | | | | |
|------------------------------|-----------------------|--|------------------------|-----------------------|-------------------------------|--------------------|
| | | | | | | |
| Computerized Control | Steam (3.0 K.W) | Faucet Accessories | Water Level Controller | Hot & Cold Mixer | Pop-Up Drain System | Foot Massager |
| | | | | | | |
| Whirlpool Bath (1.0 HP Pump) | Hydromassage Jets | Dome LED & Chromotherapy | Multi Flow Hand Shower | Blue Back Glass | Aromatherapy (Optional) | Galvanised Frame |
| | | | | | | |
| Shelf & Tray | Water Diverter Switch | Reinforced PMMA Acrylic with Glass Fibre | Easy Service | Disinfection Ozonizer | Electrical Leakage Protection | Dry Run Protection |



Model : ALONSO
Size: 900 x 900 x 2120 mm

Steam Room Series

- | | | | | | |
|-----------------------|--|--------------------------|------------------------|-------------------------------|---------------------|
| | | | | | |
| Computerized Control | Steam (3.0 K.W) | Faucet Accessories | Water Level Controller | Hot & Cold Mixer | Pop-Up Drain System |
| | | | | | |
| Hydromassage Jets | Steam Outlet | Dome LED & Chromotherapy | Multi Flow Hand Shower | Aromatherapy (Optional) | Shelf & Tray |
| | | | | | |
| Water Diverter Switch | Reinforced PMMA Acrylic with Glass Fibre | Easy Service | Disinfection Ozonizer | Electrical Leakage Protection | Dry Run Protection |





Model : DREAM
Size : 1700 x 880 x 2180 mm

- Computerized Control
- Steam (3.0 K.W)
- Faucet Accessories
- Water Level Controller
- Pop-Up Drain System
- Hot & Cold Mixer
- Foot Massager
- Whirlpool Bath (1.0 HP Pump)
- Hydro Massage Jets
- LED Lights
- Multi Flow Hand Shower
- Blue Back Glass
- Aromatherapy (Optional)
- Galvanised Frame
- Shelf & Tray
- Water Diverter Switch
- Reinforced PMMA Acrylic with Glass Fibre
- Easy Service
- Disinfection Ozonizer
- Electrical Leakage Protection
- Dry Run Protection



Model No. : FLUENCE
Size : 1300 x 1300 x 2200 mm

- Computerized Control
- Steam (3.0 K.W)
- Faucet Accessories
- Water Level Controller
- Pop-Up Drain System
- Hot & Cold Mixer
- Foot Massager
- Whirlpool Bath (1.0 HP Pump)
- Hydro Massage Jets
- LED Lights
- Multi Flow Hand Shower
- Blue Back Glass
- Aromatherapy (Optional)
- Galvanised Frame
- Shelf & Tray
- Water Diverter Switch
- Reinforced PMMA Acrylic with Glass Fibre
- Easy Service
- Disinfection Ozonizer
- Electrical Leakage Protection
- Dry Run Protection



Model No. : AMAZE
Size : 1500 x 1500 x 2200 mm

- Computerized Control
- Steam (3.0 K.W)
- Faucet Accessories
- Water Level Controller
- Pop-Up Drain System
- Hot & Cold Mixer
- Foot Massager
- Whirlpool Bath (1.0 HP Pump)
- Hydro Massage Jets
- LED Lights
- Multi Flow Hand Shower
- Blue Back Glass
- Aromatherapy (Optional)
- Galvanised Frame
- Shelf & Tray
- Water Diverter Switch
- Reinforced PMMA Acrylic with Glass Fibre
- Easy Service
- Disinfection Ozonizer
- Electrical Leakage Protection
- Dry Run Protection

Steam & Shower Room



Model No. : OCEAN
Size : 1030 x 1030 x 2180 mm

- Computerized Control
- Steam (3.0 K.W)
- Faucet Accessories
- Water Level Controller
- Pop-Up Drain System
- Hot & Cold Mixer
- Foot Massager
- Hydro Massage Jets
- LED Lights
- Multi Flow Hand Shower
- Blue Back Glass
- Aromatherapy (Optional)
- Shelf & Tray
- Water Diverter Switch
- Reinforced PMMA Acrylic with Glass Fibre
- Easy Service
- Disinfection Ozonizer
- Electrical Leakage Protection
- Dry Run Protection

Steam & Shower Room

*Touch n Experience the steam bath in
your very own Spa*

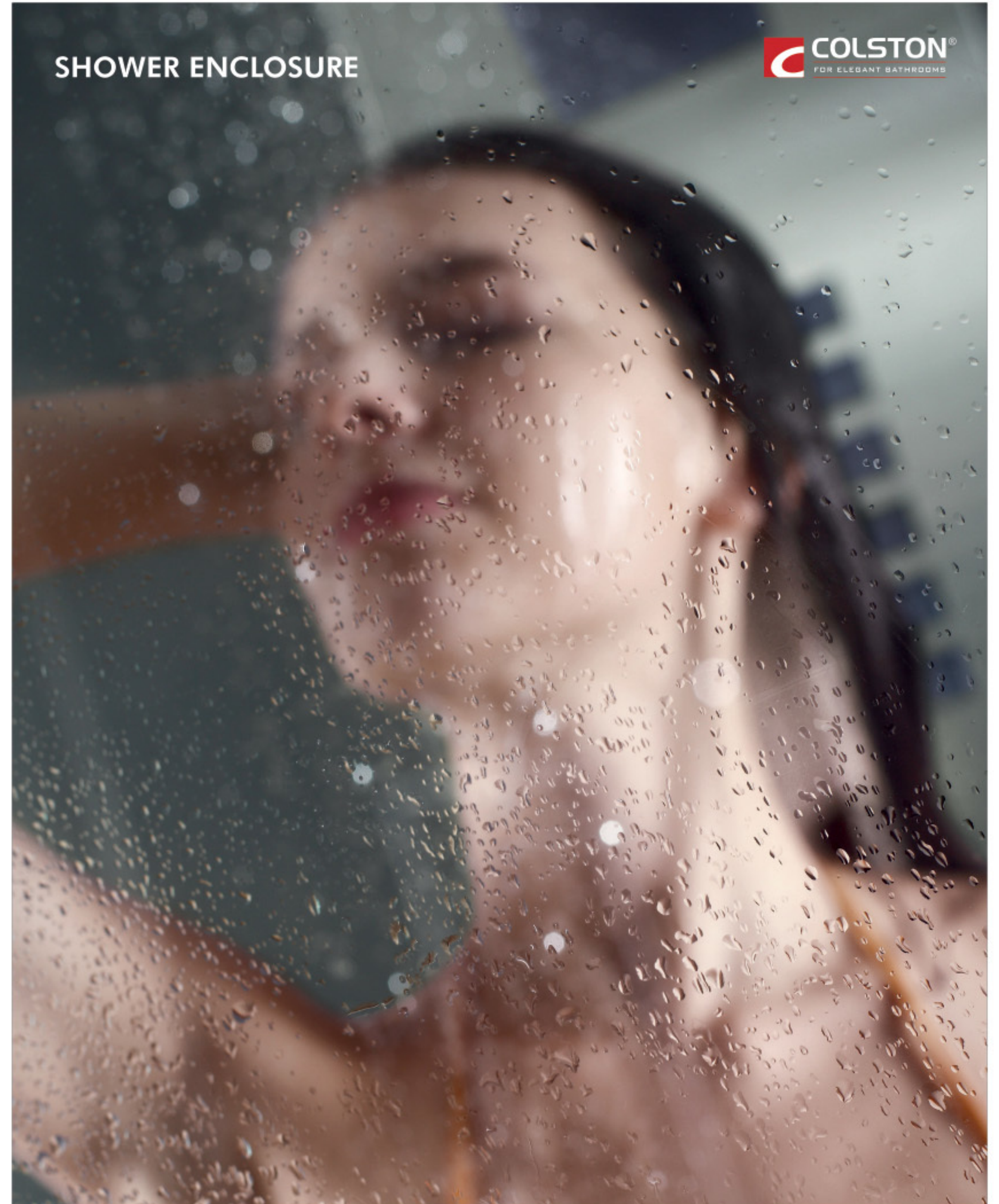
Model : OSLO
Size: 1500 x 220 x 120 mm

Features :

- Soft Touch Control Panel
- 4.5 KW Steam
- Hand Shower
- Rain Shower
- Diverter
- Color Therapy
- Bluetooth Music
- Led Light
- 5 mm Glass thickness
- Glass Panel



SHOWER ENCLOSURE





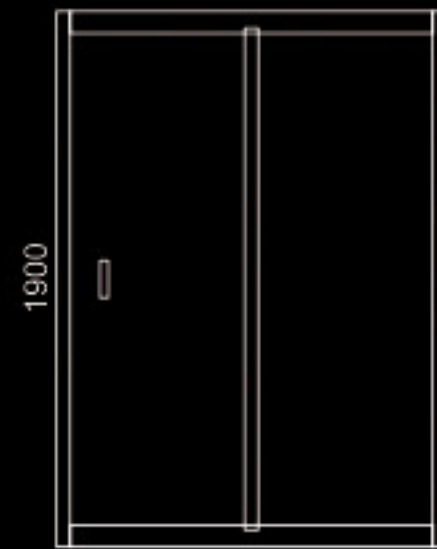
Shower Enclosure

Model : SLIDE

Size: 1500 x 1900 mm
1700 x 1900 mm
1800 x 1900 mm
1900 x 1900 mm
2100 x 1900 mm

Basic Features :

- Sliding Door Mounted on Aluminium Frame
- 6mm Toughened Glass
- Designer Handle



1500 / 1700 / 1800
1900 / 2100

Shower Enclosure



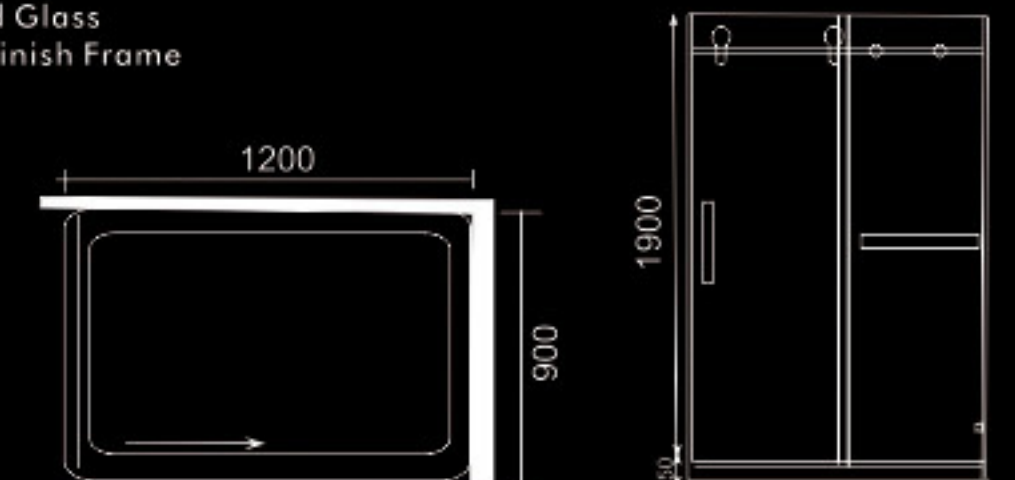
Shower Enclosure

Model : FRESCO

Size: 1200 x 900 x 1900 mm

Basic Features :

- 8-mm Tempered Glass
- Stainless steel Finish Frame
- Wooden Floor



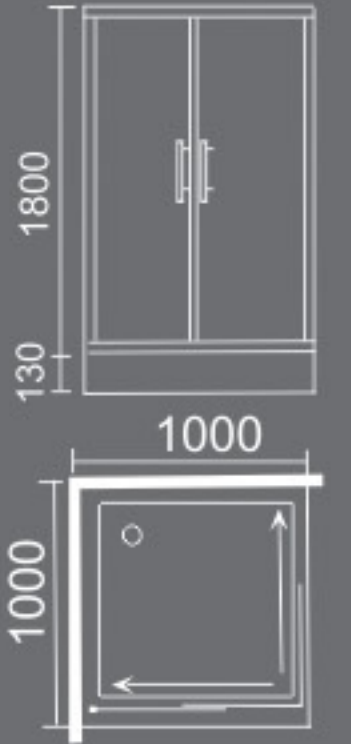
Model : KWID
Size: 1000 x 1000 x 1900 mm

- Basic Features :**
- 8 mm Tempered Glass



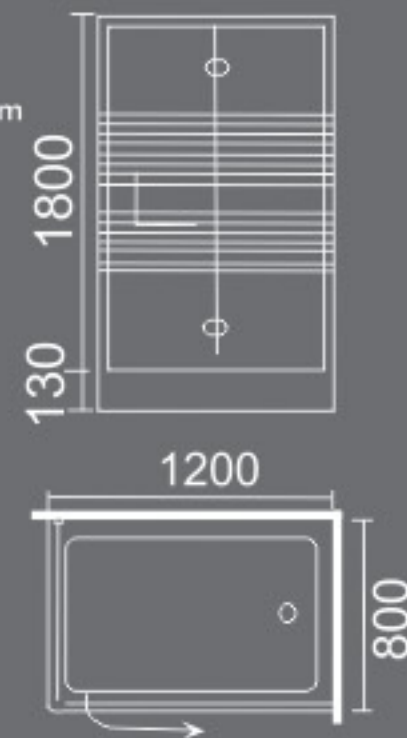
Model : MAIZ
Size: 1000 x 1000 x 1800 mm

- Basic Features :**
- 6 mm Tempered Glass
 - Stainless Steel Finish Frame



Model : PRISA
Size: 1200 x 800 x 1800 mm

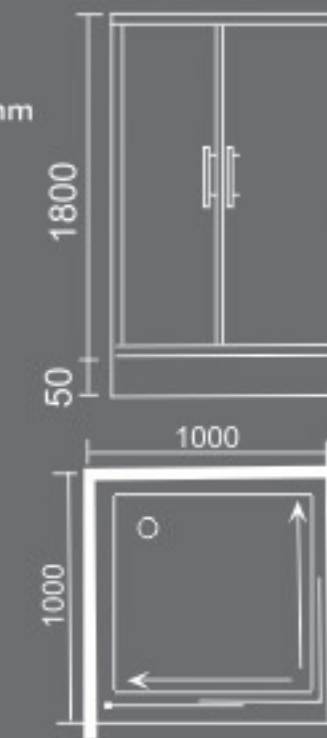
- Basic Features :**
- 6 mm Tempered Glass
 - Chrome Finish Frame



Shower Enclosure

Model : GRASA
Size: 1000 x 1000 x 1800 mm

- Basic Features :**
- 6 mm Tempered Glass
 - Chrome Finish Frame



Shower Enclosure

30°C

0 - 32°C the light is blue.

38°C

32 - 40°C the light is orange

43°C

Over 40°C it will flash and warn high-temperature

Indicator Manual Switch

Model : VICTOR
Size: 1500 x 370 x 60 mm



304 stainless steel double-head top shower



Waterfall



304 stainless steel fog jet



Square spout

LED temperature indicator
Turn on the cold & hot control valve to generate water flow, and draw the power generation system of this configuration. The temperature indicator can automatically indicate the water temperature (Without Battery).

You could turn on the temperature indicator by pressing it lightly. And it can be turned off after bath. Users need to put 2pcs 1.5V 5NI-MH batteries into the battery box of the unit.

Shower Panel Series

Model : ESTRENO
Size: 1300 x 260 x 70 mm

Features :

- Glass with Aluminum
- Rain Shower
- Hand Shower
- Anti Scaling Body Massage Jets
- Mist Jets
- Hot & Cold Water Mixer
- Water Diverter Switch
- Digital Display
- Spout



Shower Panel Series



Model : POUND
1400 x 200 mm

- Features:**
- Over Head Rain Shower
 - Hand Shower
 - Body Massage Jet
 - Hot & Cold Water Mixer
 - Water Diverter Switch
 - Spout



Glass Model : HONEY
1300 x 270 x 90 mm

- Features :**
- Shower Panel
 - Rain Shower
 - Hand Shower
 - Anti Scaling Body
 - Massage Jets
 - Hot & Cold Water Mixer
 - Water Diverter Switch
 - Aluminium finish
 - Spout



Model : SKYPE
1300 x 250 x 70 mm

- Features :**
- Rain Shower
 - Hand Shower
 - Anti Scaling Body Massage Jets
 - Hot & Cold Water Mixer
 - Water Diverter Switch
 - Spout



Model : TESLA
1200 x 180 x 70 mm

- Features:**
- Over Head Rain Shower
 - Hand Shower
 - Body Massage Jet
 - Hot & Cold Water Mixer
 - Water Diverter Switch
 - Spout



Model : JEAN
1710 x 280 x 80 mm

- Features:**
- Glass Shower Panel
 - Rain Shower
 - Hand Shower
 - Anti Scaling Body Massage Jets
 - Wooden Finish
 - Hot & Cold Water Mixer
 - Water Diverter Switch
 - Spout



Model : CEANA
1300 x 270 x 80 mm

- Features :**
- Glass Shower Panel
 - Rain Shower
 - Hand Shower
 - Anti Scaling Body Massage Jets
 - Hot & Cold Water Mixer
 - Water Diverter Switch
 - Spout

Shower Panel Series

SHOWER ENCLOSURE



Model No. : OAKLEY-815
Size : 900 x 900 x 1950 mm



Model No. : OAKLEY-819
Size : 900 x 900 x 1950 mm

PRESSURE PUMPS



Model : CL TIWT(2)	Model : CL TIIWT(3)	Model : CL TIIIWT(4)	Model : CL HPPWTHZ(7)	Model : CL HPPWTHZ(15)
For Bathroom : 2	For Bathroom : 3	For Bathroom : 4	For Bathroom : 7	For Bathroom : 15
Pressure Pump Tank : 9 Ltr.	Pressure Pump Tank : 24 Ltr.	Pressure Pump Tank : 24 Ltr.	Pressure Pump Tank : 24 Ltr.	Pressure Pump Tank : 35 Ltr.
H.P. : 0.5 HP	H.P. : 1.0 HP	H.P. : 1.1 HP	H.P. : 1.5 HP	H.P. : 3.0 HP

STEAM GENERATOR SERIES



Steam Generator Series
(4.5, 6.0, 7.5, 9.0, 12.0, 15.0, 18.0) K.W.

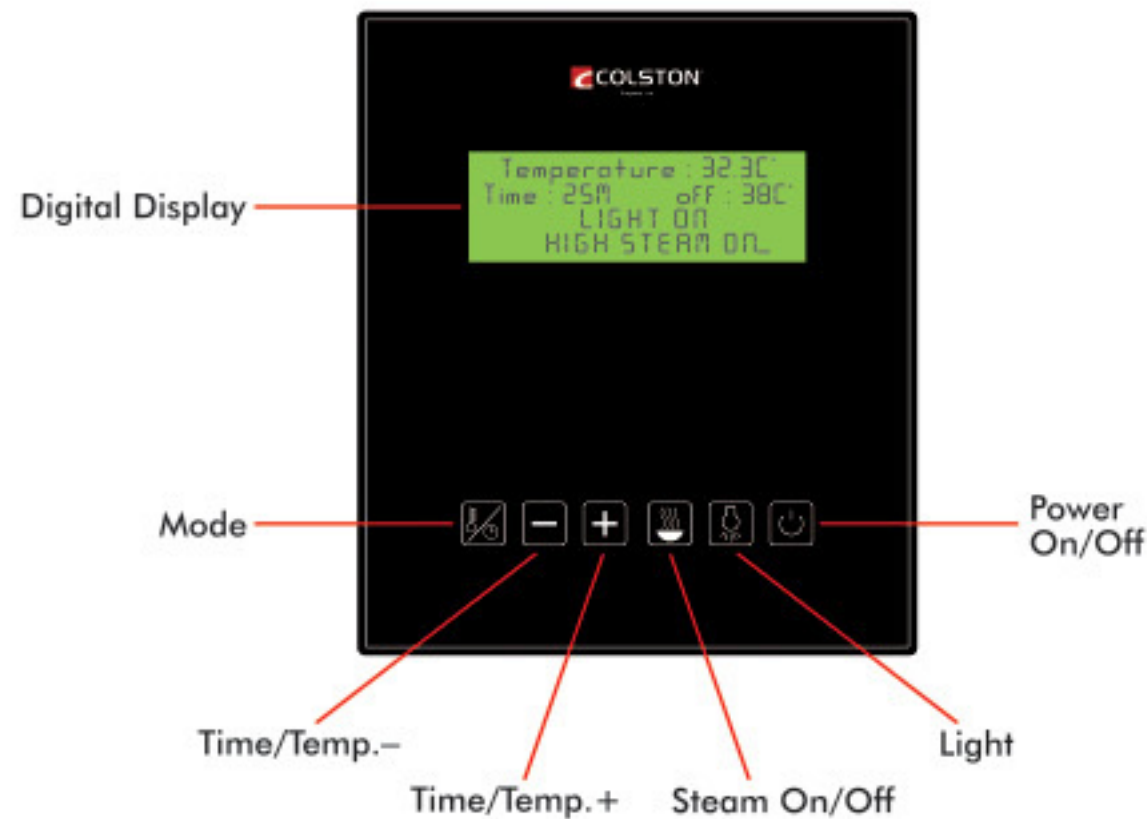
Key Features

- Heavy duty steam generator
- Light Controller
- Digital Display Panel
- Soft Touch Panel
- Two Years Technical Warranty
- Five Years Box Warranty
- Auto Steam Drain System
- Safety Valve (Pressure Relief Valve)
- Dry Run Protection

Specification

- 16 Gauge S.S 304 tank
- 316 S.S Heating Element
- Scale Resistant Control Sensor
- Auto/Manual Mode

Steam generator control panel by Colston is the modern tool to control your steam functions smartly and uniquely.



Bring the soothing comfort of a private steam shower to your bathroom. This steam generator control kit allows you to enjoy the purifying benefits of steam in your shower ready in just 60 seconds at the push of a button. The kit includes an easy-to-install, digital control panel with adjustable temperature and session settings. New sensor technology keeps the steam at a consistent temperature.



STEAM GENERATOR SERIES



Intelligent Steam Generator Series
(4.5, 6.0, 7.5, 9.0, 12.0, 15.0, 18.0) K.W.

Key Features

- Heavy duty steam generator
- Bluetooth Music Connectivity
- RGB Chromotherapy Controller
- Light Controller
- Soft Touch Panel, Digital Clock
- Weekly Steam Temperature Settings
- User mode program for 5 person
- Two Years Warranty
- Auto Steam Drain System, Safety Valve

SAUNA ROOM GENERATOR SERIES



Generator Power	Key Features
4.5 KW (Single Phase)	1. Digital Control Panel Operated 2. Lava Stone
6.0 KW (Single Phase)	
7.5 KW (Three Phase)	
9.0 KW (Three Phase)	
12.0 KW (Three Phase)	
15.0 KW (Three Phase)	

SAUNA ROOM ACCESSORIES:

Temp. & Hydro Meter, Sand Timer, Sauna Light, Bucket & Ladle, Music System, White Spruce Pine (With Single Paneling), White Spruce pine (With Double Paneling)

Sauna Accessories :



Wooden Bucket with Ladle



Sauna Stone



Sand Timer



Sauna Lamp



Thermo Hygro Meter